



**NOVA**  
INNOVATIVE

# Your Automotive Lighting Partner

# LED

## WARNING LIGHT

*Your automotive lighting solution partner*



2007 - 2021

NNS

[www.novavehicle.com](http://www.novavehicle.com)

## ABOUT US

### Our Office



**NOVA Vehicle** is a professional emergency Warning Light Manufacturer and led vehicle lighting supplier, has been specialized in auto light industry over 15 years. We focus on R&D and commit to develop new products that meet market trends and customer's needs.

Our strength is offering the professional whole vehicle lighting solution for trailer and truck, construction vehicles, transport, utilities, agriculture and forestry, marine, manufacturing and etc., building new product line, upgrading your existing product, customizing product with your demands.

### Our Factory



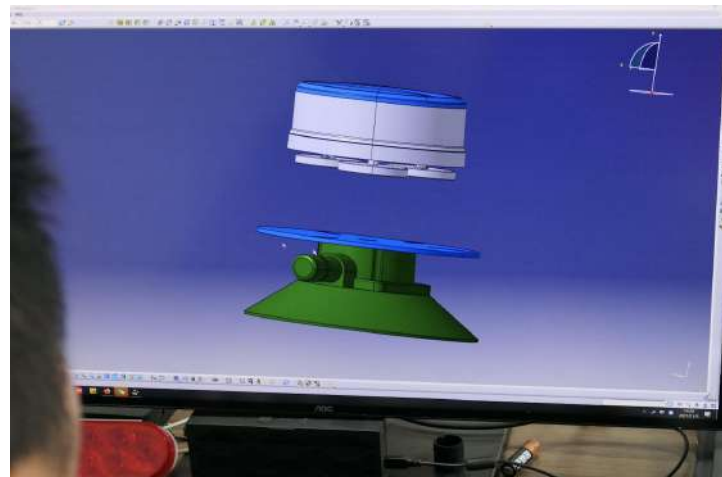
Our main products are warning lights, work lights, tail light, interior lights, Camera and monitor etc..

Our service is offering the right products with professional efficient service, the solution will be delivered within 24hours.

Integrity, a willingness to learn and to better our company, innovation, team work and dedication to client service are the foundations of our corporate values.

---

### Our Production



## Let's Build Great Things Together



Serious as regards to the establishment and development of business relationships that truly are mutually-beneficial



# Manufacture Process Control

## SMT Workshop



- AOI Inspection
- Power-On function Check
- PCB system inspection

## Production Workshop



- Operator Self-Check
- QC Routing Inspection
- 2Hours Aging Test
- Finished Goods Inspection before Package

# Quality Control - Testing

## In-house & Outside Application Test



## Testing Equipments



EMC Test



Heavy Metal- Rohns Test



Vibration Test



Optical Test



Hi-Low Temp. Test



Anti-Dust Test



Waterproof Test



Salty-Corrosion Test





## CONTENTS

### Warning lights

- ◎ Lightbar
- ◎ Lighthouse
- ◎ Beacon
- ◎ Traffic directional
- ◎ Visor light
- ◎ Siren & Speaker

### Work light

- ◎ Work lamps
- ◎ Off-road light

### Auxiliary light

### Signal light

- ◎ Marker light
- ◎ Tail light/Position light



# LED Warning Light





## Silicone Bendable LED lighthouse F6

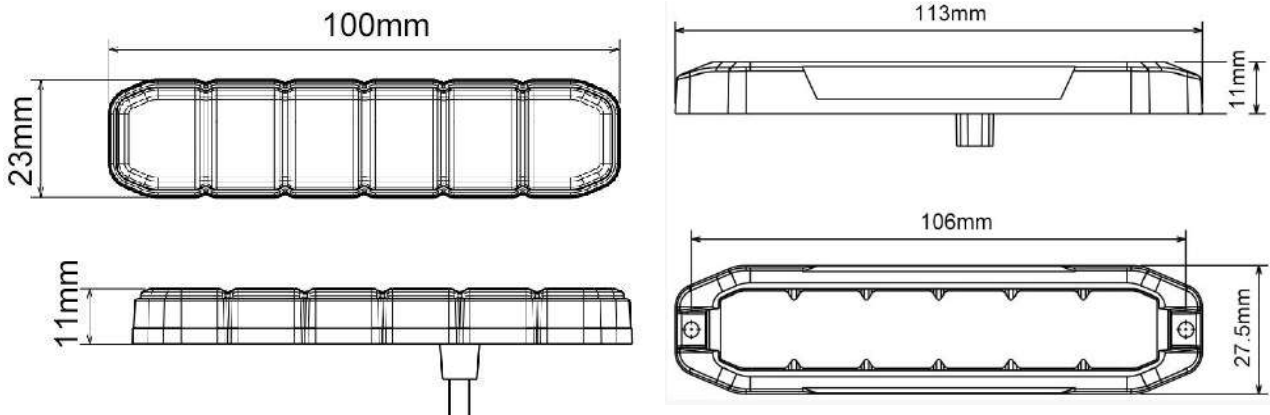


REAR VIEW MIRROR

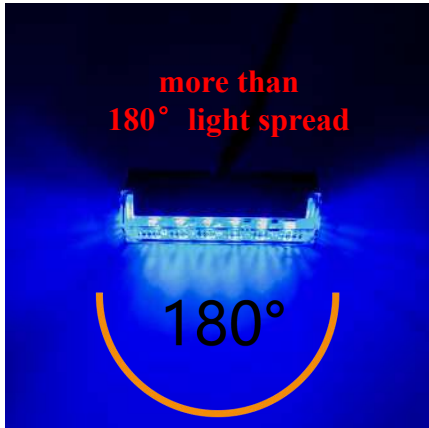
### FEATURES

1. Special application on flat or curved surfaces with 3M VHB tape
2. Dimension, with bezel 113\*27.5\*11mm, without bezel 100\*23\*10mm
3. Available in single color and dual color
4. It can bend up to 120 degree
5. 3M or surface mount
6. ECE R65 Class1, R10

### Dimension



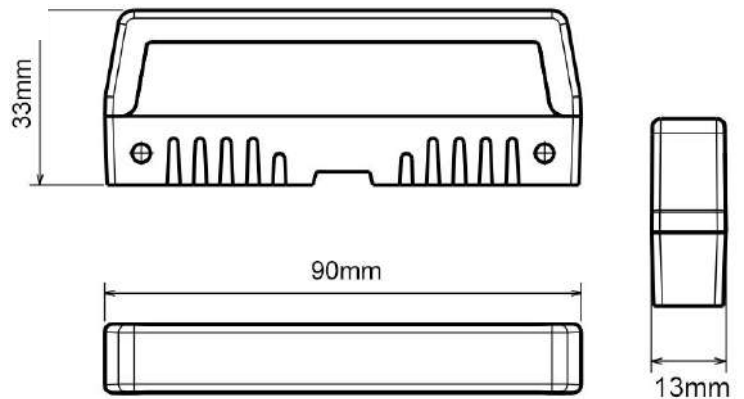
Item	Voltage	Color	Power	IP	Mounting	Approval
F6	10-30V DC	Single color, Dual color	6pcs x 3W, 12pcs x 3W	IP68	3M or Screw mount	R65,R10, SAE



**NR180**



### Dimension



### FEATURES:

1. Ultra Slim design
2. Wide beam angle 180-degree
3. Available in Single color or Dual color
4. 50% power steady on functions available
5. Built-in 20 selectable flash patterns with Pattern Memory
6. Aluminum base for efficient heat dispersion
7. UV-resistant PC
8. Multiple mount options

Item	Voltage	Color	Power	IP	Mounting	Approval
N180	10-30V DC	Single color, Dual color	12pcs x 3W, 24pcs x 3W	IP67	Screw, Bracket mount	R65 class 2, R10, SAE

R65 XA2



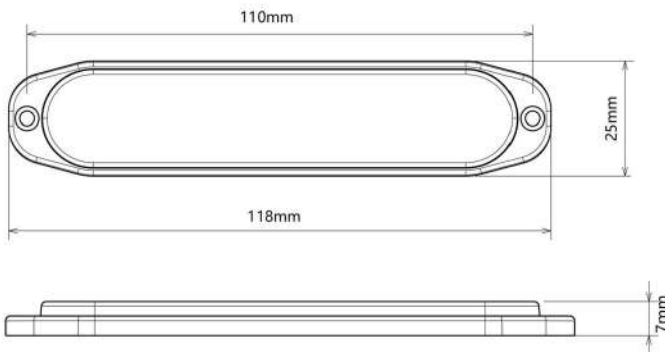
With Bezel

**O6**

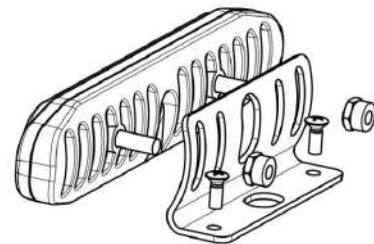


Smoked lens

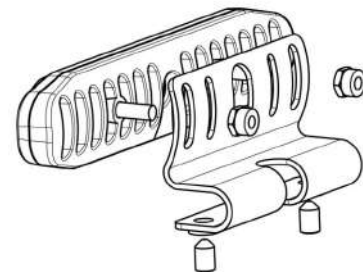
## Dimension



L MOUNT



HOOD MOUNT



## FEATURES

1. Ultra-slim body, only 7mm high
2. Finely designed polycarbonate lens shape produces uncompromising illumination
3. 6pcs high-quality LEDs ensure consistent performance, extremely low current draw
4. Aluminum die-cast housing provides excellent heat dissipation
5. Fully encapsulated for moisture, vibration and corrosion resistance
6. Single color, Dual color and Triple color
7. ECE R10(EMC), ECE R65 Class2 and SAE J595 Class1

Item	Voltage	Color	Power	IP	Mounting	Approval
O6	10-30V DC	Single color, Dual color, Tri color	6pcs x 3W, 12pcs x 3W, 24pcs x 3W	IP67	3M, Bracket, Screw mount	R65, R10, SAE

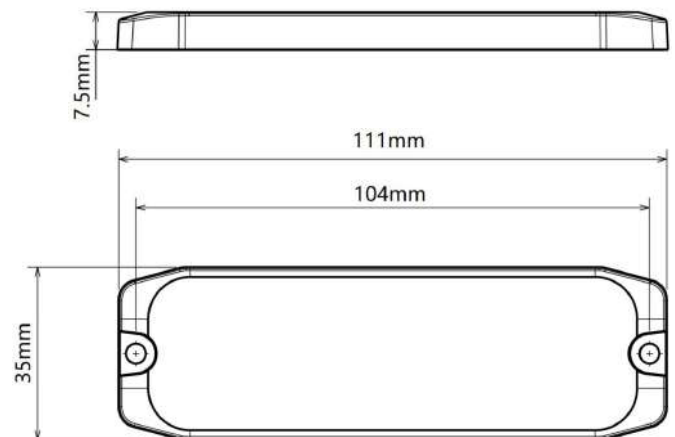
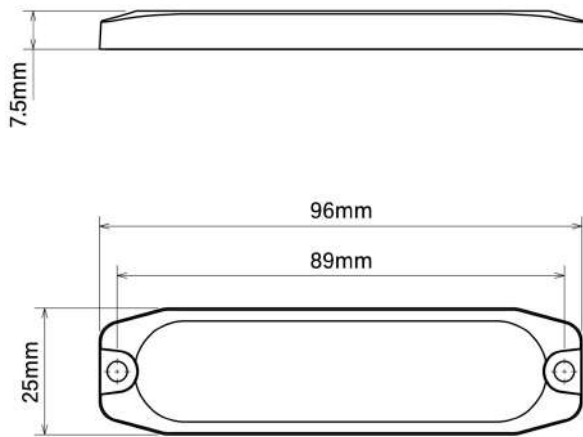


**O4**



**O12**

## Dimension



## FEATURES

1. Ultra-slim body, only 7.5mm high
2. Finely designed polycarbonate lens shape produces uncompromising illumination
3. 4pcs high-quality LEDs ensure consistent performance, extremely low current draw
4. Aluminum die-cast housing provides excellent heat dissipation
5. Fully encapsulated for moisture, vibration and corrosion resistance
6. ECE R10(EMC), ECE R65 Class1 and SAE J595 Class1

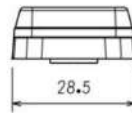
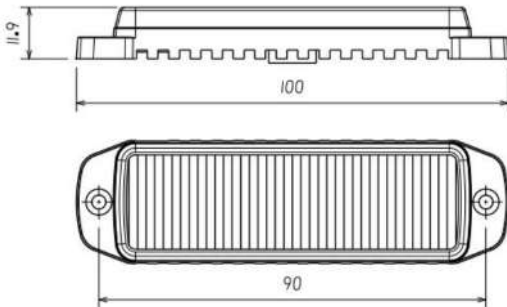
Item	Voltage	Color	Power	IP	Mounting	Approval
O4	10-30V DC	Single color, Dual color	4pcs x 3W, x 8pcs x 3W	IP67	3M, Screw mount	R65 R10
O12	10-30V DC	Single color, Split color	12x3W	IP67	Screw mount	R65 R10

# WARNING LIGHT

NL6



**Dimension:**

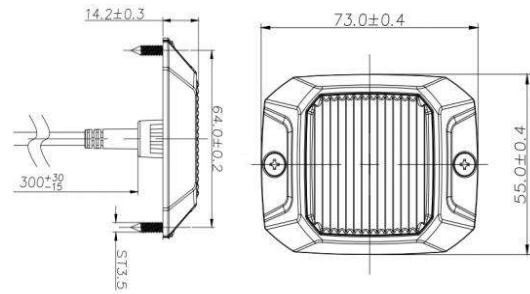


## FEATURES

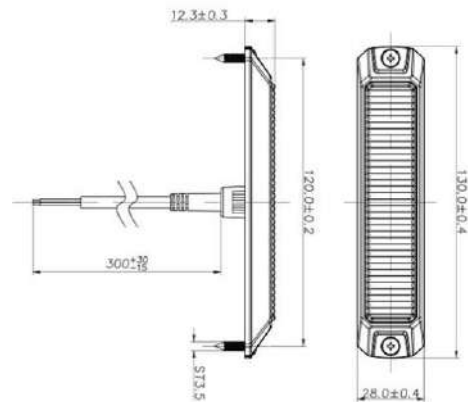
- \* Strong and compact design
- \* Excellent optical design make the light can meet ECE R65, R10 certificate
- \* 6pcs high-quality LEDs ensure consistant performance, extremely low current draw
- \* Aluminum die-cast housing provides excellent heat dissipation
- \* Single color and can be design in dual color

Item	Voltage	Color	Power	IP	Function	Mounting	Dimension	Wires
NL6	10-30V DC	Single color	6x3W	IP67	With dimming function	Screw Mont	100x28.5x3mm	5-core wires

# WARNING LIGHT



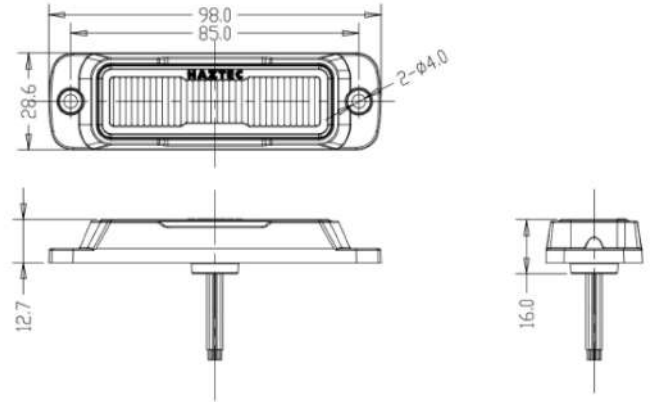
R65 XA2 S4



R65 XA2 S6

Item	S4	S6
Voltage	12V/24V DC	
Flash pattern	12	17
Waterproof	IP67	IP67
Colors	Single color	Single color, Dual color
LED	4 X 3pcs LED	6 X 3W LED
Base	Aluminum	
Mounting	Surface mount	
Size	73*55*14.2mm	130*28*12.3mm
Approval	ECE R10, R65 Class 2, SAE J595 Class1, California Title 13 Class B	ECE R10, ECE R65 Class 2, SAE J595 Class1, California Title 13 Class B

# WARNING LIGHT



© R65 for horizontal mount

© R65 for vertical mount



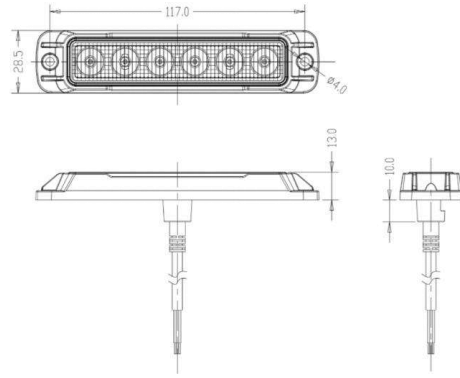
## FEATURES

- \* Ultra-slim body, only 13mm high
- \* Finely designed polycarbonate lens shape produces uncompromising illumination
- \* 4pcs high-quality LEDs ensure consistent performance, extremely low current draw
- \* Aluminum die-cast housing provides excellent heat dissipation
- \* Fully encapsulated for moisture, vibration and corrosion resistance
- \* Faster and easier surface mounting via two screws
- \* ECE R10(EMC), ECE R65 Class1 and SAE J595 Class1
- \* With **horizontal or vertical** mount, R65 certificate separately

Item	SH4-V	SH4-H
Mounting	Vertical Mount	Horizontal Mount
Voltage	10-30V DC	
Flash pattern	20	
Waterproof	IP67	
Colors	Single color, Amber, red, blue, white	
LED	4 X 3W LED	
Base	Aluminum	
Mounting	Surface mount	
Size	98*28.5*13mm	
Approval	ECE R10 ECE R65 Class 1, CISPR 25 Class 3	

# WARNING LIGHT

R65 XA2



© R65 for horizontal mount

© R65 for vertical mount



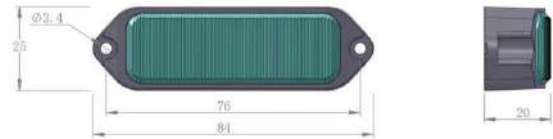
## FEATURES

- \* Ultra-slim body, only 13mm high
- \* Finely designed polycarbonate lens shape produces uncompromising illumination
- \* 6pcs high-quality LEDs ensure consistent performance, extremely low current draw
- \* Aluminum die-cast housing provides excellent heat dissipation
- \* Fully encapsulated for moisture, vibration and corrosion resistance
- \* Faster and easier surface mounting via two screws
- \* ECE R10(EMC), ECE R65 Class2 and SAE J595 Class1 , California Title 13 Class B Certified
- \* With **horizontal or vertical** mount, R65 certificate separately

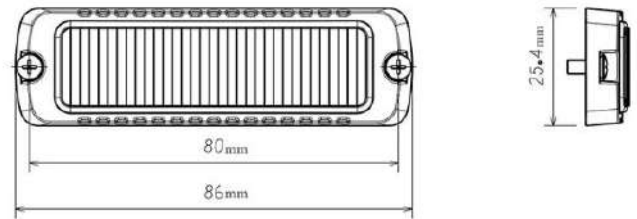
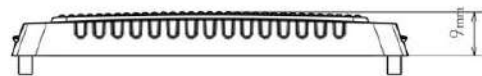
Item	SH6-V	SH6-H
Mounting	Vertical Mount	Horizontal Mount
Voltage	12V/24V DC	
Flash pattern	20	
Waterproof	IP67	
Colors	Single color, Amber, red, blue, white	
LED	6 X 3W LED	
Base	Aluminum	
Mounting	Surface mount	
Size	117*28.5*13mm	
Approval	ECE R10 ECE R65 Class 2, CISPR 25 Class 3, SAE J595 Class 2, California Title 13 Class	



# WARNING LIGHT



Dimension With Frame



Item	N3	T3
Voltage	12V	10-30V
Flash pattern	19	19
Waterproof	IP67	IP67
Colors	Single color	Single color
LED	3 X 3pcs LED	3 X 3W LED
Base	Aluminum	
Mounting	Surface mount	
Size	84*25*20mm	86*25.4*9mm
Approval	/	ECE R10, ECE R65, SAE J595

# WARNING LIGHT

V6



V3



## FEATURE

- \* Aluminum alloy base, UV-resistant PC, Multifunctional wire
- \* Powered by 10-33V
- \* High intensity LED; Single or dual or Trio color are available
- \* 17 Flash Patterns with Pattern Memory
- \* **180° light spread model**
- \* **ECE R65 approval for V6**

Item	V3	V6
Voltage	10-30V DC	
Flash pattern	17	17
Waterproof	IP67	IP67
Colors	Single color or Dual color	
LED	4 X 3pcs LED	6 X 3W LED
Base	Aluminum	
Mounting	Surface mount	
Size	108*36*18mm	125*28*15mm
Approval	/	<b>ECE R65</b>

# WARNING LIGHT



## FEATURES

- \* Ultra-slim body, only 15mm high, suitable for grille mount
- \* Finely designed polycarbonate lens shape produces uncompromising illumination
- \* 9pcs high-quality LEDs, available in single color and dual color
- \* 180 degree wide-angle brightness
- \* Fully encapsulated for moisture, vibration and corrosion resistance
- \* Comes with bracket

Item	B9	B9D
Voltage	10-30V DC	
Flash pattern	28	38
Waterproof	IP67	
Colors	Amber, red, blue, white	
LED	9 X 3W LED	18 X 3W LED
Base	Aluminum	
Mounting	Bracket mount	
Size	135*25*15mm	
Visible angle	180 degree	

# WARNING LIGHT



## FEATURES

- \* Finely designed polycarbonate lens shape produces uncompromising illumination
- \* 6pcs high-quality LEDs ensure consistent performance, extremely low current draw
- \* Aluminum die-cast housing provides excellent heat dissipation
- \* Fully encapsulated for moisture, vibration and corrosion resistance
- \* Faster and easier surface mounting via two screws

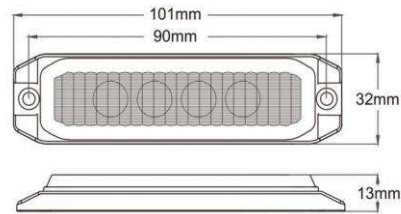
## Specification

Item	SF3	SF4	SF6
Voltage	12-24VDC	12-24VDC	12-24VDC
Flash pattern	16	16	16
Waterproof	IP67	IP67	IP67
Colors	Amber, red, blue, white		
LED	3pcs X 3W	4pcs X 3W	6pcs X 3W
Base	Aluminum		
Mounting	Surface mount		
Size	L 86.2* W 27.6* H 16.2mm	L 96* W 27.6 * H 16.2mm	L 124* 27.6 W* H 16.2mm
Approval	CE/RoHS	CE/RoHS	CE/RoHS

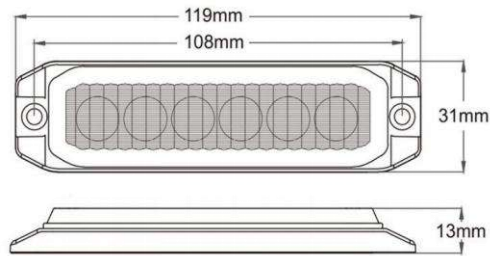
# WARNING LIGHT



ST4



R65 XA2 ST6



## FEATURES

- \* Ultra-slim body, only 13mm high
- \* Finely designed polycarbonate lens shape produces uncompromising illumination
- \* 4 or 6pcs high-quality LEDs ensure consistent performance, extremely low current draw
- \* Aluminum die-cast housing provides excellent heat dissipation
- \* Fully encapsulated for moisture, vibration and corrosion resistance
- \* Faster and easier surface mounting via two screws
- \* ECE R10(EMC), ECE R65 Class 1 for 4 LED, R65 class 2 for 6 LED and SAE J595 Certified
- \* 4 flash patterns

Item	Voltage	Patterns	Function	Power	Material	Mounting	IP	Approval
ST4	12-24VDC	4	Single color or split color	4 X 3W LED	PC lens and aluminum base	Surface mount	IP67	ECE R10, ECE R65 class XA1
ST6		4		6 X 3W LED				ECE R10, ECE R65 class XA2

## WARNING LIGHT

SL4



SL6



SL12



### FEATURES

- \* Finely designed polycarbonate lens shape produces uncompromising illumination
- \* 4, 6, 12pcs high-quality LEDs ensure consistent performance, extremely low current draw
- \* Aluminum die-cast housing provides excellent heat dissipation
- \* Fully encapsulated for moisture, vibration and corrosion resistance
- \* Faster and easier surface mounting via two screws

Item	SL4	SL6	SL2
Voltage	10-30VDC		
Flash pattern	19		
Waterproof	IP67	IP67	IP67
Colors	Amber, Red, Blue, White, Green		
LED	4pcs X 3W	6pcs X 3W	12pcs X 3W
Base	Aluminum		
Mounting	Surface mount		
Size	85*28*10mm	112*28*10mm	85*41*10mm

# WARNING LIGHT

## LED Flexible Warning light NV-FW



## FEATURES

- . A flexible and waterproof warning light designed to mark the stand, but can be used anywhere on vehicles and machines.
- . A simple and tool-free mounting with two cable ties that ensure a stable mounting.
- . The length is available 19cm 24cm 34cm ....
- . The standard voltage is 12V, can be bespoke to 10-30V

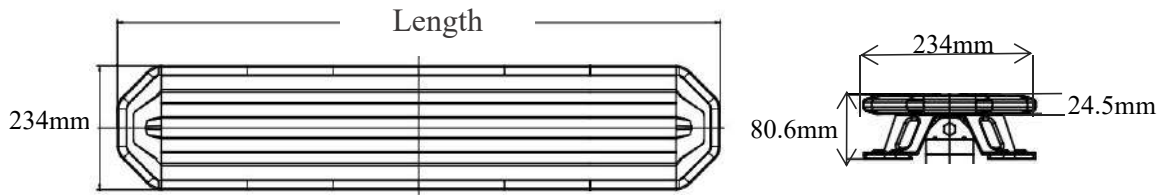


## Application in Heavy Machine



# WARNING LIGHT

R65 TA2



**Length available :** 629mm, 782mm, 1086mm, 1239mm, 1544mm, 1848mm

## FEATURES

- \* Ultra-slim body, 24.5mm height, only 0.96"
- \* Aluminum alloy housing, strong structure and excellent in heat dissipation
- \* High-quality LEDs ensure consistent performance, extremely low current draw
- \* Fully encapsulated for moisture, vibration and corrosion resistance
- \* Completely with ECE R65 Class2, CISPER25 and SAE certification

## Flash patterns

5 modes fash

- \* Single fash by day
- \* Single fash by night
- \* Double fash
- \* Triple fash
- \* Single fash Alt. Left & Right half

5 modes rotation

- \* Slow anticlockwise rotation
- \* Slow clockwise rotation
- \* Quick anticlockwise rotation
- \* Quick clockwise rotation
- \* Rotation

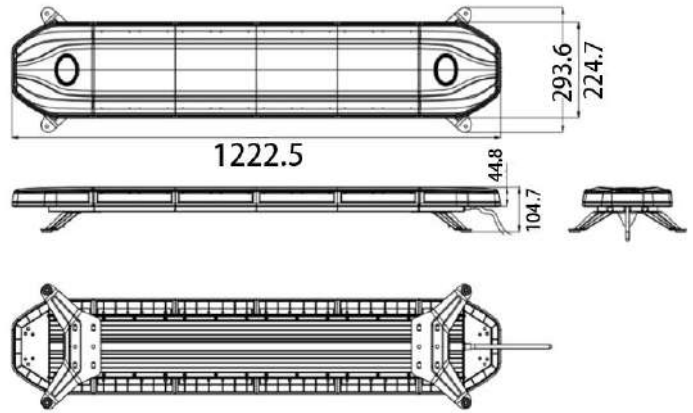
**Hook**  
(Optional)



Item	Voltage	Color	Power	Watt.	Function	Wire	Approval	IP	Mounting
NV-LPRO	12-24VDC	Amber, Red, Blue, White	204 X 1W	106W	Cruiselight, arrow light for option	3.5m cable	ECE R65 TA2, ECE R10	IP66	Screw or bracket mount for option



# WARNING LIGHT



## FEATURES

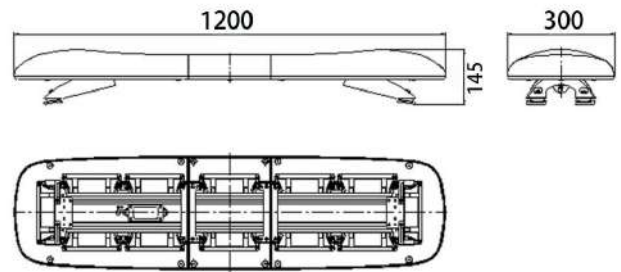
1. Ultra-slim body, available with 20", 32", 40", 48", 56", 64", 72"
2. Available with **amber lens and clear lens**. Finely designed polycarbonate lens shape produces uncompromising illumination
3. 1W high-quality LEDs ensure consistent performance, extremely low current draw
4. Aluminum die-cast base provides excellent heat dissipation
5. Fully encapsulated for moisture, vibration and corrosion resistance
6. Available with wireless Controller or wire Controller

Item	Voltage	Color	Power	Watt.	Certification	Function	Patterns	Mounting
NVL-TL	10-30V	Amber, Red, Blue, White	126 pcsX 1W	126W	ECE R65,R10,SAE	Traffic arrow light, Dimming Function	10	Screw or bracket mount for option

# WARNING LIGHT



Comb-48



## FEATURES

1. Available with 629mm, 782mm, 1086mm, 1239mm, 1544mm, 1848mm
2. Clear lens or colored lens is opinions
3. Aluminum die-cast base provides excellent heat dissipation
4. Fully encapsulated for moisture, vibration and corrosion resistance
5. With 100W speaker for option
6. Dimension, 1200×378×212mm



Comb-S48



Item	Voltage	Color	Power	Watt.	Function	Patterns	Mounting
Comb-S48	12/24V DC	Amber, Red, Blue, White	60 pcsX 3W	96W	Traffic arrow light for option	13	Screw or bracket mount for option
Comb-48			72pcs X 3W LED	132W	Take down light,, alley light and arrow light for option		

# WARNING LIGHT



High brightness Lightbar  
 Dimention: 118 \* 31 \* 11.7cm  
 12/24VDC 88 X 3W LED  
 ECE R65 TA1

NV-L



Narrow lightbar  
 12/24VDC  
 Length available: Length ( 20cm, 32cm,  
 80cm,106.8cm,130cm,150cm,175cm )  
 Width **11cm**\* Height 6.7cm



NV-LNO

Item	Voltage	Color	Power	Watt.	Function	Wire	Mounting
NV-LNO	12/24VDC	Amber, Red, Blue, White	102pcs X 3W	306W	Take down light, arrow light for option	5m cable	Screw or bracket mount for option
NV-L	12/24VDC		84pcs X 3W LED	252W			

NV-LWay

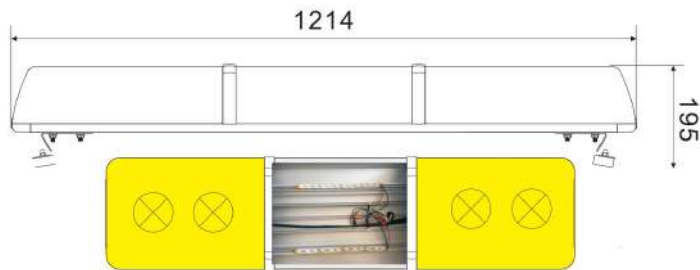


## FEATURES

1. 12V or 10-30V operate voltage lightbar
2. The led lightbar has 25 flash patterns
3. Can be built-in takedown light, alley light, traffic arrow stick.
4. Lifespan of up to 100,000hours
5. The lightbar has Optional hand control boxes
6. Max 15.4 A draw
7. Five sizes for optional: 12", 23", 30", 40" and 48", can meet different vehicles requirements, like cars, vans, trucks, trailers, fire vehicles and ambulance vehicles.

Item	Voltage	Color	Power	Wire	Patterns	IP	Mounting
NV-LWay30	10-24VDC	Amber, Red, Blue, White	56pcs x 3W	3.5M	25	IP67	Permanent Mount or Magntic mount

## NV-STRO

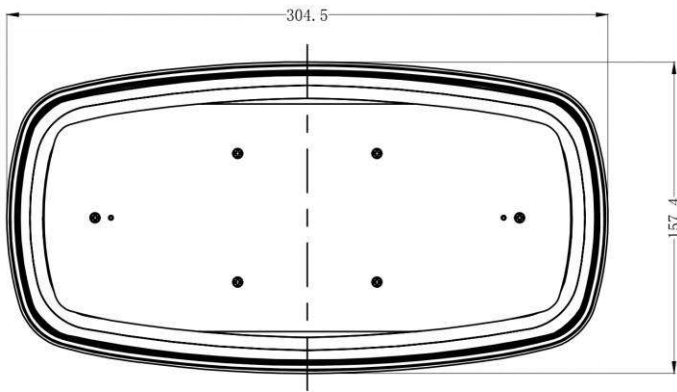


### FEATURES

- \* Lens Color: Red/Blue/Amber/Transparent
- \* Speaker: Available
- \* Light Frequency: 1-4HZ
- \* Light Intensity:  $\geq 1200$
- \* Ambient temperature:  $-40^{\circ}\text{C}$ — $+75^{\circ}\text{C}$
- \* With two buttons switch
- \* Popular in construction industry, agriculture and forestry industry, mining industry, municipal works

Item	Voltage	Color	Power	Watt.	Function	Wire	Light Options	IP	Mounting
NV-STRO	12/24VDC	Amber, Red, Blue, White	48 X 1W	3W	Flash	3.8m cable	Halogen, HID, LED	IP66	Permanent Mount

## Mini Bar

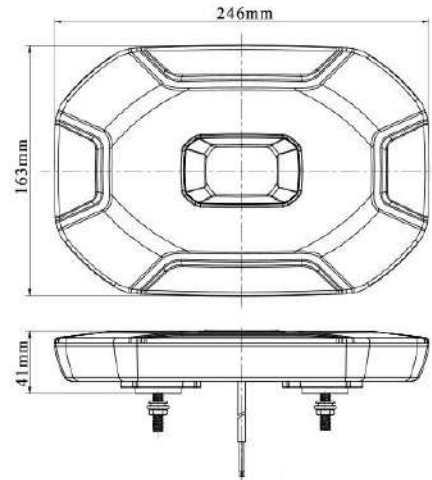


### FEATURES

- \* Popular mini lightbar meets all kinds of vehicles
- \* 84pcs LED, makes the light source uniform distribution
- \* Magnets mount with 2.5m cables with cig plug
- \* ON/OFF, MODE buttons options

Item	Voltage	Color	Power	Patterns	Wire	Mounting	Approval
NV-ML84	12/24VDC	Amber, Red, Blue, White	84pcs X 1W	5 modes fash + 2 modes rotation	2.5m cable	Magnet mount	SAE J845 ECE R65 R10

## Mini Bar



Bracket Mount



4 Bolts Mount



Magnets Mount

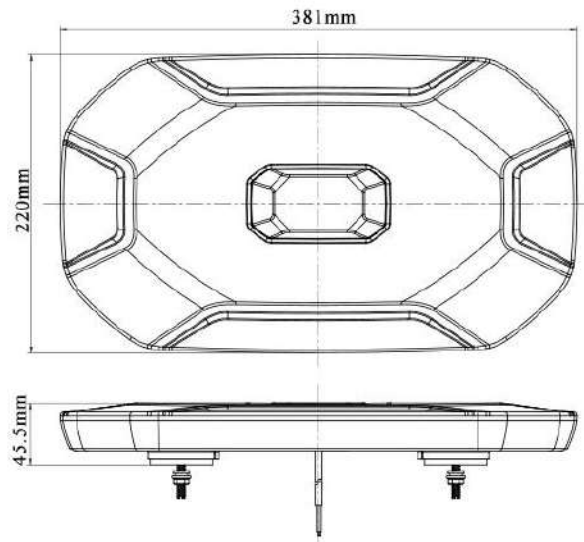
## FEATURES

- \* SAE J845 Class 1 and CISPR 25 Class3 Certified, virtually no RFI/EMI radiation
- \* Strong polycarbonate cover and lens are all finely molded with streamline appearance.
- \* Innovative design with fewer components ensure stability during extended dwell time.
- \* 12 optional flash patterns and can be customized.
- \* 360° fully glowing surface with strong overall visual effects.

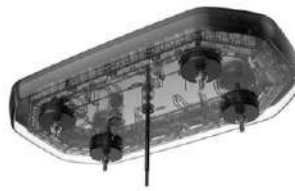
Item	Voltage	Color	Power	Patterns	Wire	Mounting	Approval
ML10	12/24VDC	Amber, Red, Blue	40pcs X 1W	12pcs flash pattern	50cm or 2.5m cable	3options	SAE J845 ECE R65 R10

# WARNING LIGHT

## Mini Bar



Bracket Mount



4 Bolts Mount



Magnets Mount

## FEATURES

- \* SAE J845 Class 1 and CISPR 25 Class3 Certified, virtually no RFI/EMI radiation
- \* Strong polycarbonate cover and lens are all finely molded with streamline appearance.
- \* Innovative design with fewer components ensure stability during extended dwell time.
- \* 12 optional flash patterns and can be customized.
- \* 360° fully glowing surface with strong overall visual effects.

Item	Voltage	Color	Power	Patterns	Wire	Mounting	Approval
ML15	12/24VDC	Amber, Red, Blue	92pcs X 0.5W	12pcs flash pattern	50cm or 2.5m cable	3options	SAE J845 ECE R65 R10



# BEACON



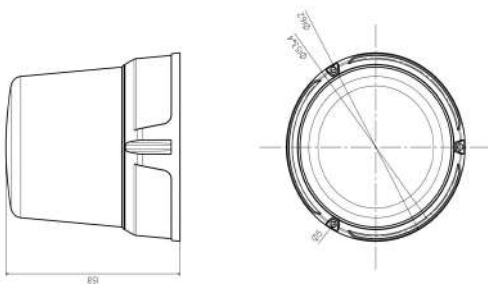
# WARNING LIGHT



## BL16

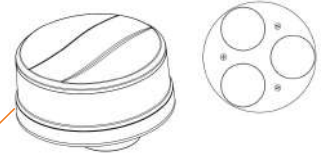
- 10-30V
- Dimension 158Hx162D mm
- Available with Red, Blue, Amber and Transparency lens
- Three mounting options, Permanent, Magnetic base, DIN mount
- Special design for big vehicles, like construction vehicle, heavy duty vehicle, fire truck in Germany and France
- ECE R65 Class2, R10 in pending

## Dimension



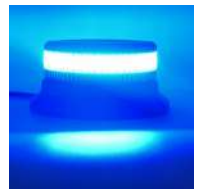
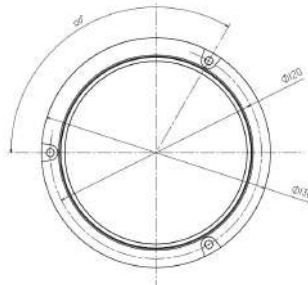
Item	Voltage	Color	Power	IP	Function	Mounting	Dimension	Approval
BL16	10-30V DC	Amber, Red, Blue, White	16x3W	IP67	Single or Dual color	Permanent, Magnet and Din mount	H158mm * $\Phi$ 162	R65, R10

# WARNING LIGHT



## FEATURES

- \* **Dual color beacon, two colors can be controlled separately.**
- \* Finely designed polycarbonate lens shape.
- \* 18pcs or 36pcs high-quality LEDs ensure consistent performance, extremely low current draw
- \* Fully encapsulated for moisture, vibration and corrosion resistance
- \* With 2 different mounting ways, included permanent mount, strong magnet mount can pass 240km/h speed test.
- \* Suction cups and spiral cable is available



Item	Voltage	Color	Power	IP	Function	Mounting	Dimension	Approval
B16	10-30VDC	Single color	18x3W	IP67	50% power	Permanent , strong magnet	H62.5mm * Φ 130	ECE R65 TA2, TB2, R10
B16D	10-30VDC	Dual color	36x3W	IP67	50% power	Permanent , strong magnet	H62.5mm * Φ 130	ECE R65 TA2, TB2, R10

# WARNING LIGHT



## Features:

- \* Provides a reliable, temporary vacuum mount, without drilling holes.
- \* Rubber vacuum pad will not mark or damage most surfaces.
- \* Attaches to flat or curved, smooth, nonporous surfaces.
- \* Red-line indicator warns user of any vacuum loss.
- \* Check valve allows re-pumping without loss of remaining vacuum.
- \* Lift tabs on vacuum pad edges permit instant release.
- \* Supplied with vacuum pad protector.

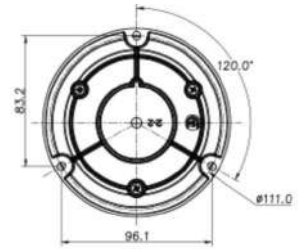
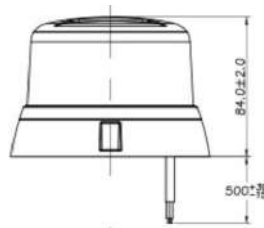
Model	Pad Diameter	Loading Capacity	Iron Plate Diameter	Material	SCREW
HPSC series	4.5"/118mm	Vertical > 30kg Horizontal > 50kg	140mm	Rubber & plastic & metal	M6 M8 G1/4" G3/8" Customizable Screw

# WARNING LIGHT

**BT16**



## Dimension



## Beacon color and installation options



## Specification

- . 12-24VDC
- . 16 x 1W LED
- . 12 flash patterns
- . ECE R10 and R65 approval
- . Permanent mount, magnet mount, Din pole mount
- . 500mm cable/ 2500mm cable and cigarette plug
- . Dimension,  $\phi 111 \times 84$ mm
- . IP67



Item	Voltage	Color	Power	IP	Function	Mounting	Dimension	Approval
BT16	10-30VDC	Single color	16x3W	IP67	50% power	Permanent , strong magnet	H84mm * $\Phi$ 120	ECE R65 TA1, TB1, R10

# WARNING LIGHT



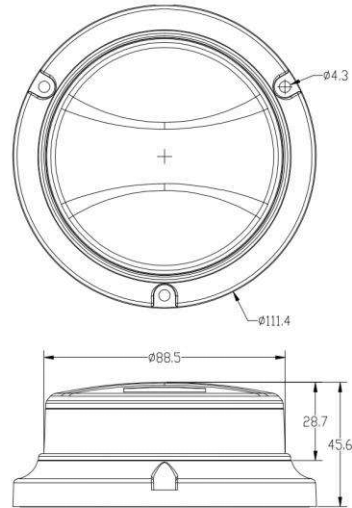
Permanent Point



Pole mount



Magnetic mount



## FEATURES

- \* Finely designed polycarbonate lens shape with aluminum alloy base
- \* 36pcs high-quality LEDs ensure consistent performance, extremely low current draw
- \* Fully encapsulated for moisture, vibration and corrosion resistance
- \* With 3 different mounting ways, included permanent mount, magnet mount, pole mount.

Item	Voltage	Color	Power	IP	Function	Mounting	Dimension	Approval
B36	10-30V DC	Amber, Red, Blue, White	36x1W	IP67	Single color	Permanent , Magnet and Pole mount	H45mm * Φ 111	R65, R10

# WARNING LIGHT



Permonent mount

B12



Magnet mount



One point mount



Flexi Din mount



Permonent mount

B24



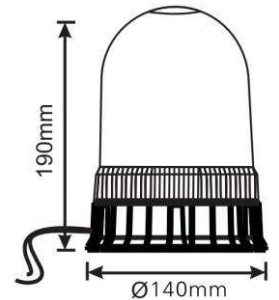
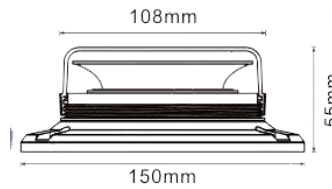
Magnet mount



One point mount



Flexi Din mount



Item	Voltage	Color	Power	IP	Function	Mounting	Approval
B12	12-24V DC	Amber, Red, Blue, White	12 X 3W	IP66	Single Flashin/ Dual Flashing/ Rotating	Permonent mount, magnet mount with cigarette plug, din mount, pole mount	ECE R65, R10
B24	12-24V DC	Amber, Red, Blue, White	24 X 3W	IP66	Single Flashing/ Dual Flashing/ Rotating	Permonent mount, magnet mount with cigarette plug, din mount, pole mount	ECE R65, R10

# WARNING LIGHT



IP65



DC12V



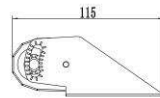
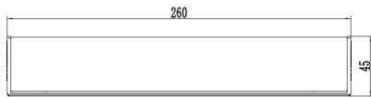
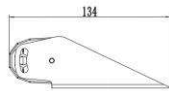
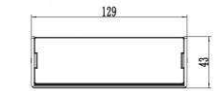
Meet ECE R65, R10, SAE



Amber, blue, red, white



-40-+65°C



## Features

- \* Easy flash pattern selection from the touch-off button on the back of light.
- \* High intensity suction cups, positions and quantity are selectable on bracket according to windshield glass of different gradients.

Item	Voltage	Color	Power	Flash patterns	Waterproof	Controller	Mounting
D4	12VDC	Amber, Red, Blue, White	4 X 3W	16	IP65	Cigarette plug	Suction cup
D8			8 X 3W				



## D6 & D12



### Specification

- . 10-30VDC
- . 12 x 3W LED
- . 19 flash patterns
- . SAE J595, CA T13, ECE R65 and ECE R10 Certified
- . Adjustable brackets, suitable for various applications
- . Comes with suction cup
- . **Single Module or Double Module options**
- . IP67

### Double Modules

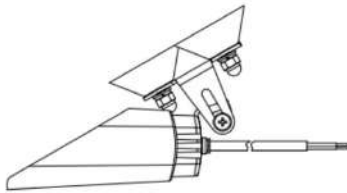


### Single Module

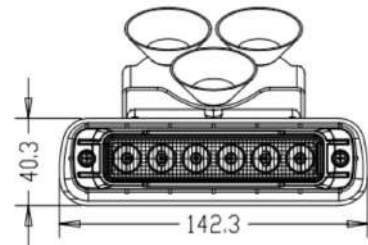
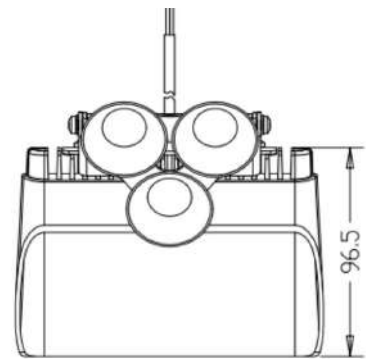


Item	Voltage	Color	Power	Flash patterns	Waterproof	Controller	Mounting
D6	10-30VDC	Amber, Red, Blue, White	6X 3W	19	IP69K	Cigarette plug	Suction cup
D12			12 X 3W				

## DN6



Mounting, Suction Cups



### Specification

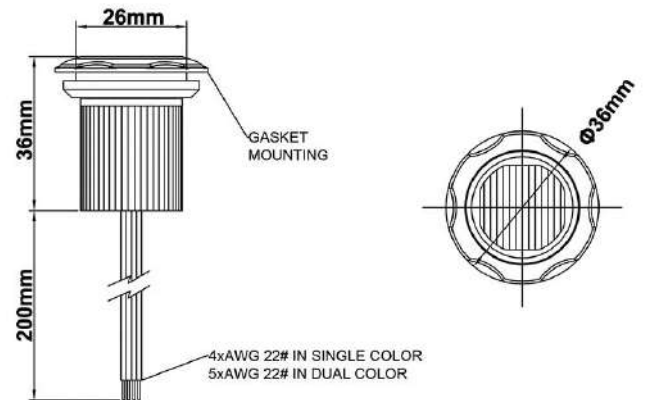
- . 10-30VDC
- . 6 x 3W LED
- . 20flash patterns
- . ECE R65 and ECE R10 Certified
- . Adjustable brackets, suitable for various applications
- . Comes with 3pcs suction cups
- . **Single color**
- . IP67

Item	Voltage	Color	Power	Flash patterns	Waterproof	Controller	Mounting
DN6	10-30VDC	Amber, Red, Blue, White	6X 3W	20	IP67	Cigarette plug	Suction cup

## LED Hideaway Light HT4



### Dimension



### FEATURES:

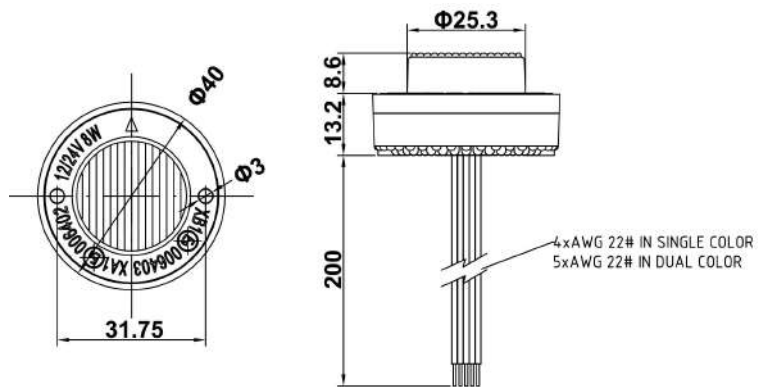
1. Tiny and powerful lighthouse.
2. Finely designed polycarbonate lens shape
3. 4pcs x 3W or 8 x3W high-quality LEDs ensure consistent performance,
4. Extremely low current draw
5. Fully encapsulated for moisture, vibration and corrosion resistance
6. With 2 different mounting ways, flush mount, or surface mount.

Item	Voltage	Color	Power	Flash patterns	IP	Mounting	Wire	Approval
NV-HT4	10-33VDC	Single color/ Dual color	4 x 3W/ 8 x 3W	12 single color, 34 dual color	IP67	Flush mount with Grommet, L-Bracket is available	20cm wires	ECE R10, R65 TA1, TB1

## Hideaway Strobe Light HM4



### Dimension



### FEATURES:

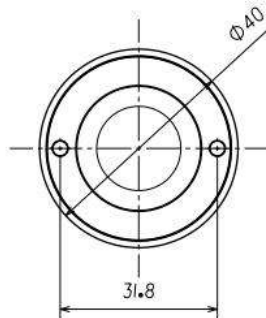
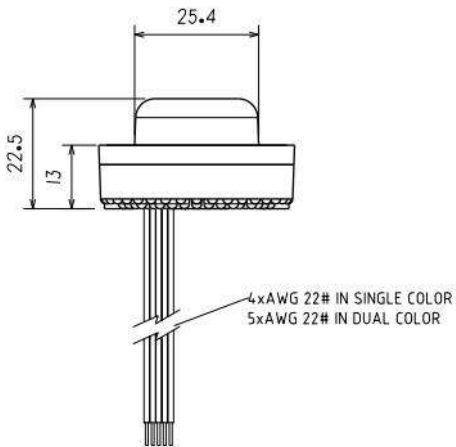
1. Tiny and powerful lighthouse.
2. Finely designed polycarbonate lens shape
3. 4pcs x 3W or 8 x3W high-quality LEDs ensure consistent performance
4. extremely low current draw
5. Fully encapsulated for moisture, vibration and corrosion resistance
6. With 2 different mounting ways, flush mount, or surface mount.

Item	Voltage	Color	Power	Patterns	IP	Mounting	Wire	Approval
NV-HM4	10-33VDC	Single color/ Dual color	4 x 3W/ 8 x 3W	12 or 34	IP67	Surface mount or cover mount	20cm wires	ECE R10, R65 TA1, TB1

## LED Hideaway Light built-in with Flasher H8



### Dimension



### 1. Tiny and powerful lighthouse.

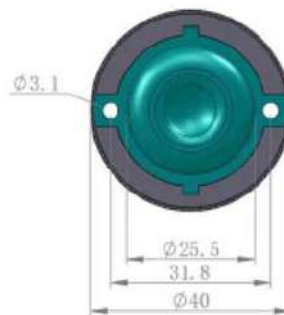
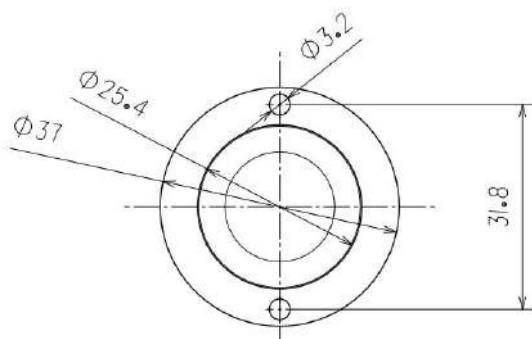
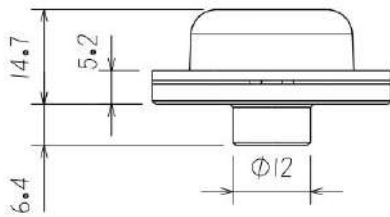
2. 8pcs x 3W or 16 x3W high-quality LEDs ensure consistent performance
3. Fully encapsulated for moisture, vibration and corrosion resistance
4. With 2 different mounting ways, flush mount, or surface mount.

Item	Voltage	Color	Power	Patterns	IP	Mounting	Wire	Approval
NV-HL8	10-33VDC	Single color/ Dual color	4 x 3W/ 8 x 3W	20 or 12	IP67	Surface mount or cover mount	20cm wires	ECE R10, R65 TA1, TB1

# WARNING LIGHT

H6

H12



140%



Item	Voltage	Color	Power	Flash patterns	IP	Mounting	Wire	Dimension	Approval
NV-H6	10-33VDC	Single color/Dual color	6x 4W	10 flash patterns	IP67	Surface mount or Cover mount	3m wires	D 37mm x H 21mm	/
NV-H12	12V DC	Single color	12 x1W	19pcs flash patterns	IP67	Surface mount or Cover mount	3m wires	D40 X H30.5	/

# WARNING LIGHT

## NV-H12

- . 12VDC
- . CE approval
- . Surface mount
- . Comes with cover
- . Dimension 36Dx20Hmm



## NV-HS4

- . 10-30VDC
- . Surface mount
- . Comes with rubber gasket
- . Dimension 55Dx21.6Hmm
- . R65 approved
- . One module or two modules for your options



Item	Voltage	Color	Power	Flash patterns	Waterproof	Mounting	Wire
NV-HS4	10-30VDC	Amber, Red, Blue, White	4x3W	22	IP67	Surface mount with or without cover	2m core wire
NV-H12	12VDC		12x3W	12		Surface mount without cover	3m with 4 core wire

# WARNING LIGHT

## NV-HD8

- . 12-24VDC
- . CE approval
- . Surface mount
- . Comes with cover
- . Dimension 39x19x25mm



## NV-H801

- . 12VDC
- . Surface mount
- . Comes with rubber gasket
- . Dimension 28Dx28Hmm



Item	Voltage	Color	Power	Flash patterns	Waterproof	Mounting	Wire
NV-HD8	12-24VDC	Amber, Red, Blue, White	8 X 3W	16	IP67	Surface mount with or without cover	3m with 5 core wire
NV-H801	12VDC			23		Surface mount without cover	3m with 4 core wire



# WARNING LIGHT



IP67



DC12V



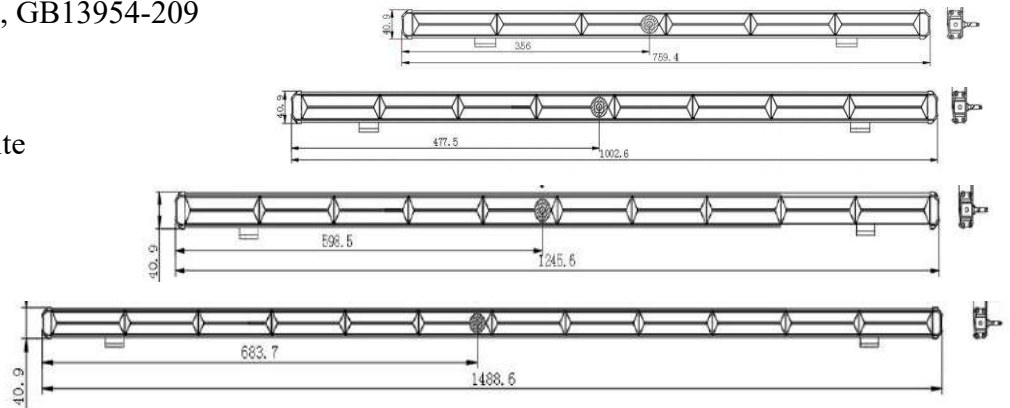
ECE R65, SAE J595, GB13954-209



Amber, blue, red, white



-40-+70°C



## Features

- \* Ultra thin traffic advisor
- \* Adopts high power LED as light source
- \* Available in single or split colors-red, blue, amber, white option
- \* Built-in 12 selectable flash patterns and directional pattern
- \* Solid aluminum housing for efficient heat dissipation
- \* ECE R65 and SAEJ595 standard



Item	Voltage	Color	Power	Waterproof	Function	Mounting	Operation Temp
T-6	12VDC	Amber, Red, Blue, White	36*3W	IP67	Built-in 12 selectable flash patterns and directional pattern	Screw mount	-30° C to +70° C
T-8			48*3W				

## TA Series

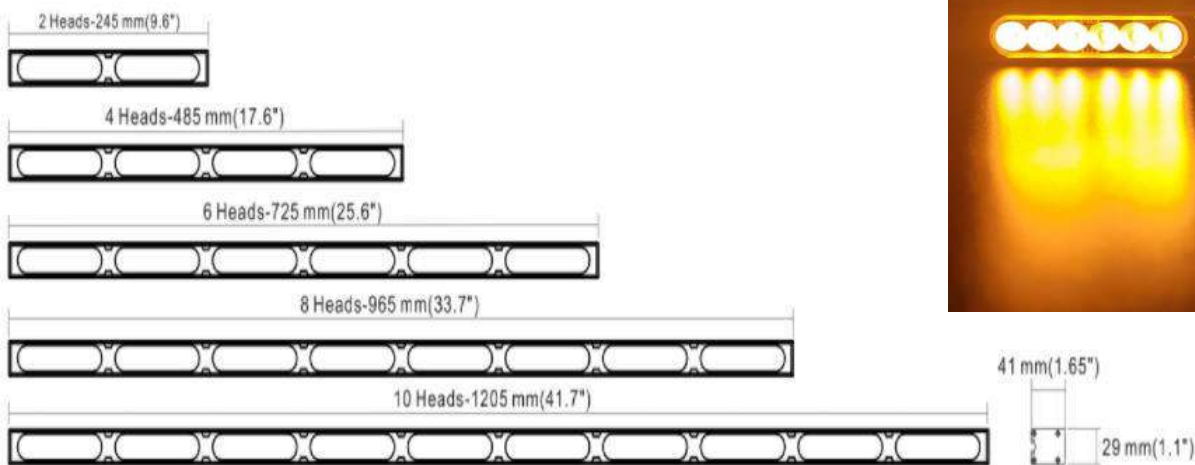


### Features:

- \* Adopts high power LED as light source
- \* Available in single or split colors
- \* Waterproof interior or exterior mount
- \* TA series comes with 3 wire cable( power, ground, pattern select)
- \* Bottom and rear T-slots allow for easy mounting via M3 bolt
- \* Side aluminum housing for efficient heat dissipation prolongs lifespan
- \* Sealed E6 heads for maximum reliability



### Dimension:



Item	Voltage	Color	LED	Waterproof	Pattern	Mounting	Operation Temp
TA	10-30VDC	Amber, Red, Blue, White	3W/LED	IP67	2-4 modules: 20 >4modules: 31	Screw mount	-30°C to +70°C

# WARNING LIGHT



IP65



DC12V



Meet ECE R65, R10, SAE



Amber, blue, red, white



-40-+65°C

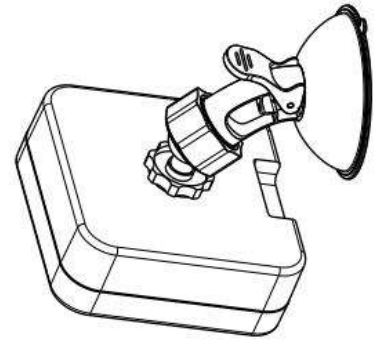


## Features

- \* Two-piece Interior lightbar, perfect for slick-top, highway and undercover applications
- \* With high-quality 1W LEDs ensure consistent performance, extremely low current draw
- \* 25 optional flash patterns and with memory function if suddenly power off
- \* Built-in the reverse polarity protection circuit can protect Installation wiring and vehicle electrical components
- \* Different mounting brackets, flexible mount on either front or rear windshield.

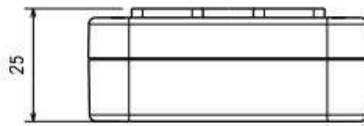
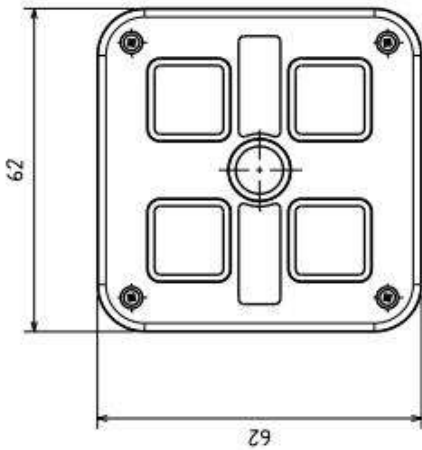
Item	Voltage	Color	Power	Flash patterns	Waterproof	Controller	Mounting
D10	12VDC	Amber, Red, Blue, White	72 X 1W	25	IP65	Cigarette plug	Brackets

# MINI CONTROLLER



**Dimension**

**Bracket Mount or 3M Mount**



## KEY FEATURES:

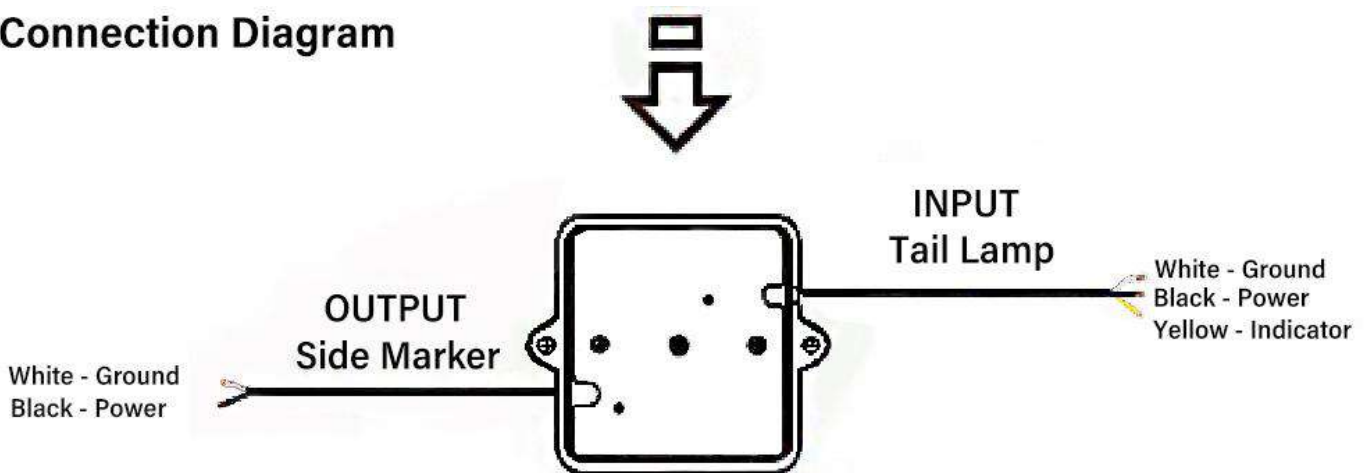
- 4 programmable momentary or On/Off buttons
- 18 selectable icon sticker to clearly label your panel
- 4x4Amp outputs
- Dualcolor LED background rubber buttons
- 1/4" thread stand screw hole for bracket mount .

Item	Voltage	Max Current Output	Fuse	Cable Harness Length	Mounting	Dimension	Approval
SC5X	10-30V DC	16A	5A for each switch	300mm	3M, Bracket, Screw mount	62(W) x 62mm (D) x 25mm (H)	ECE R10

## AC- R3A



### Connection Diagram

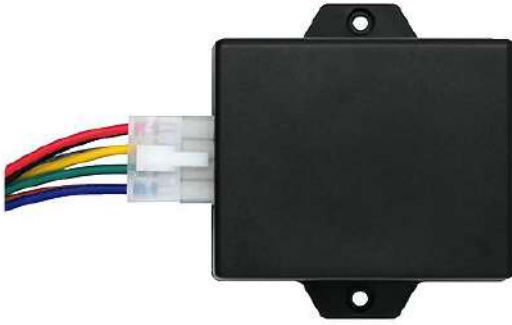


### FEATURES:

1. According to ECE R48, Rev. 6., vehicles of categories O3 & O4 (trailers above 3.5t) homologated after 18 Oct, 2017 side markers must flash synchronously with direction indicators
2. Numbers of side markers connect to the cable of the device which will be centrally controlled by Blink Device
3. Universal version
4. Operating temperature  $-30^{\circ}\text{C} \sim 50^{\circ}\text{C}$
5. 1 unit per vehicle side, 2 units per vehicle
6. The maximum current consumption of marker lamps must not exceed 2 Am per blink device

Item	Voltage	Max Current Output	Approval
AC- R3A	10-30V DC	3A	ECE R10

## Two Output LED Flasher



### KEY FEATURES

- 10-30V (Vin=Vout)
- 2 x 5A outputs.
- 18 selectable patterns, with dim, cruise and mode functions
- Slim design shape
- The flasher unit can flash up to many more LED directional lighthoods.
- Can sync or alternating the modules

### WIRING DIAGRAM

Red	—————	10~30VDC Input
Black	—————	GND Input
Yellow	—————	Change Flash Pattern
Grey	—————	Cruise Mode
Green	—————	Dim Mode
White	—————	GND Output
Blue	—————	V1+ Output(5A)
Orange	—————	V2+ Output(5A)

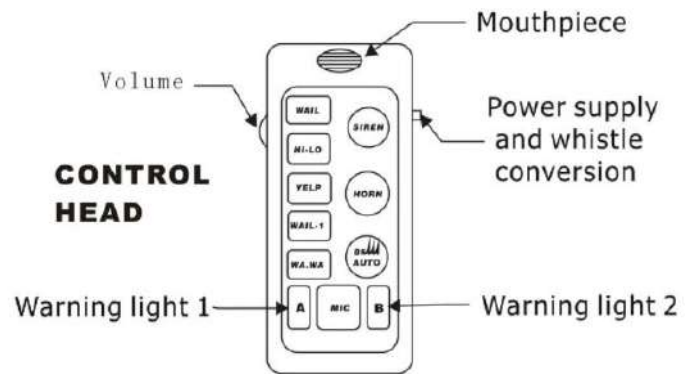
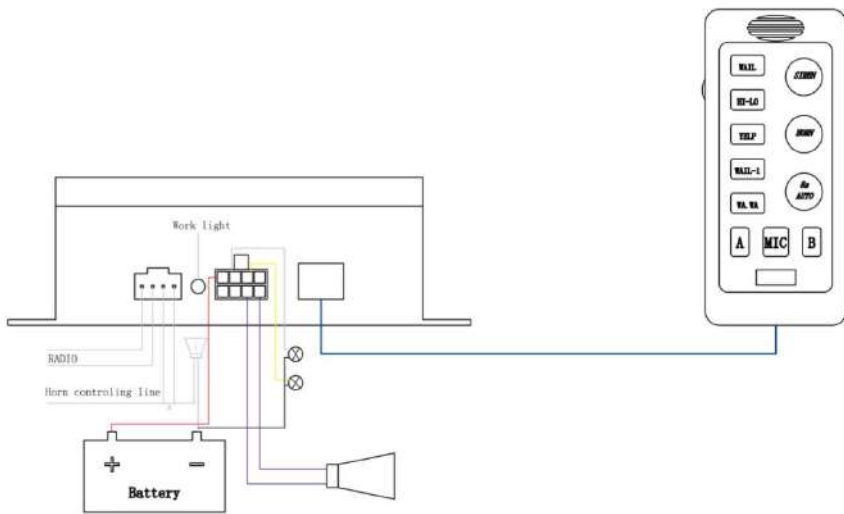
### FLASH PATTERNS

1	Quad Sim (125 fpm) R65	10	Quad Alt (125 fpm) R65
2	Double Sim (125 fpm) R65	11	Double Alt (125 fpm) R65
3	Single Sim (125 fpm) R65	12	Single Alt (125 fpm) R65
4	Quad Sim (180 fpm) R65	13	Quad Alt (180 fpm) R65
5	Double Sim (180 fpm) R65	14	Double Alt (180 fpm) R65
6	Single Sim (180 fpm) R65	15	Single Alt (180 fpm) R65
7	Quad Sim (75 fpm)	16	Quad Alt (75 fpm)
8	Double Sim (75 fpm)	17	Double Alt (75 fpm)
9	Single Sim (75 fpm)	18	Single Alt (75 fpm)

Item	Voltage	Max Current Output	Fuse	Cable Harness Length	Mounting	Dimension	Warranty
AC-LF	10-30V DC	2 x 5A	5A for each switch	300mm	Screw mount	62(W) x 62mm (D) x 25mm (H)	2year

# WARNING LIGHT

## NW-SR100SD

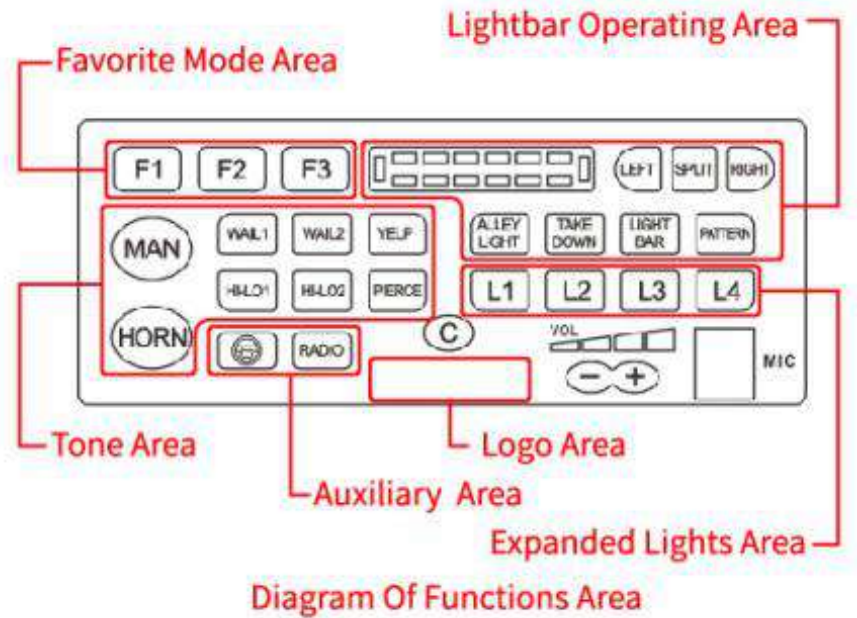


Model	NV-SR100SD
L*W*H(mm)	160 mm(L)×116 mm(W)×50 mm(H)
Voltage	12/24V
Power	100W/200W
Impedance	8Ω ,11Ω
Function	WAIL1,WAIL2,YELP,H-LO1,Wa.Wa, Torn
Sound compression level	110-120dB

# WARNING LIGHT



NV-SR100CD



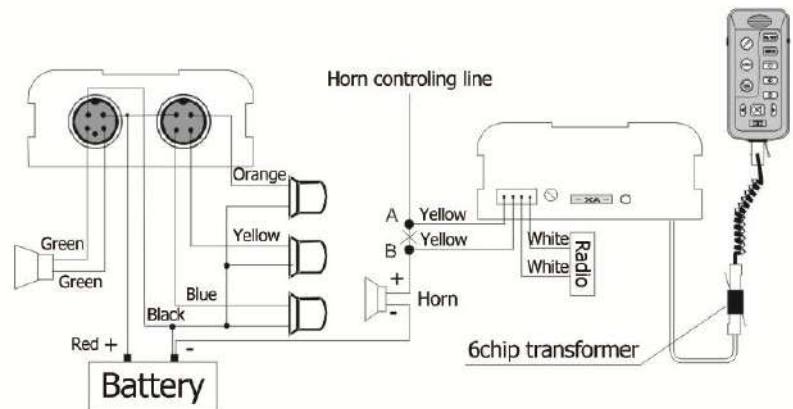
## Feature

- \* Monolithic integrated circuit in steadier performance
- \* Tone characteristic:WAIL1,WAIL2,YELP,H-LO1,H-LO2,PIERCE.
- \* Can control the siren , lightbar and expanded lights.
- \* Support traffic advisor function.
- \* Can set up and store your favorite modes .
- \* Voice enlarges:Speaker sensitivity 50mv,output volume can be adjusted.
- \* Have the indication lights about the lightbar flashing modes.
- \* Support the external triggering function of steering wheel.
- \* Have the media amplifier function.
- \* Warning sound volume adjustable.
- \* Tones are ready to be customised.
- \* Double-color backlight indicator adapts night operation.
- \* Polarity protection.
- \* A new tone program is designed to improve the warning efficiency in an all-round way.
- \* Designed with new tone procedures. comprehensively improve warning effectiveness.
- \* Microphone priority: all other siren functions pause when microphone starts talking.

Model	NV-SR100CD
L*W*H(mm)	171.6 mm(L)× 160 mm(W)× 58 mm(H)
Voltage	12/24V
Power	100W/150W
Impedance	8Ω
Function	WAIL1,WAIL2,YELP,H-LO1,H-LO2,PIERCE
Sound compression level	110-120dB



## NV-SR100RD



### Feature

- \* Monolithic integrated circuit in steadier performance
- \* Tone characteristic: Aux, Yelp, Hi-lo, Wail-1, wail-2, Siren, Horn, Super-siren. Yelp relay
- \* Can control the siren, lightbar and expanded lights.
- \* Comes with handhold controller
- \* Voice enlarges: Speaker sensitivity 50mv, output volume can be adjusted.
- \* Support the external triggering function of steering wheel.
- \* Have the media amplifier function.
- \* Warning sound volume adjustable.
- \* Tones are ready to be customised.
- \* Unique and scientific design, perfect function, convenience for operation, safely and reliably
- \* Polarity protection.

Model	NV-SR100SD
L*W*H(mm)	7.8 "Long x 4.3" Wide x 1.9"High
Voltage	12/24V
Power	100W
Impedance	8Ω /11Ω
Function	Police, Fire, Ambulance, Wrecker, Project
Sound compression level	115-120dB

## Speaker & Siren



NV-SP100-2



NV-SR100AD



NV-SP100-1



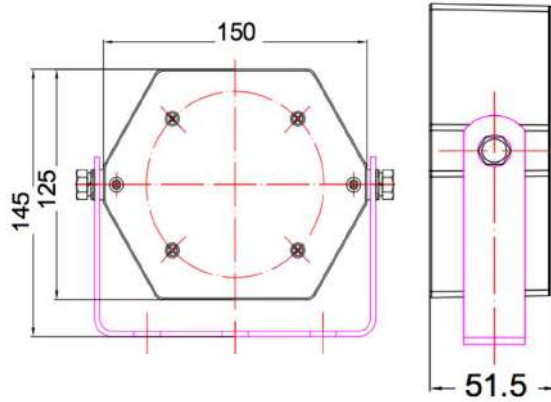
NV-SR100RD

Model	NV-SP100-2	NV-SP100-1	NV-SR100RD	NV-SR100AD
L*W*H(mm)	182 x 135 x 175	205 x 173 x 132	198 x 108 x 48	194 x 155 x 57
Frequency/Voltage	400-4000Hz	400-4000Hz	DC12V	DC12V
Power	100W	100W	100W/200W	100W/200W
Impedance	8Ω	8Ω	8Ω / 11Ω	8Ω / 11Ω
Sound Distortion/ Sound	≤5%	≤5%	Police, fire fighting, wrecker, project, ambulance, ambulance, guest.	Yelp, Hi-lo, Wail-1, Wail-2, Manual
Sound compression level	120-130db	120-130db	110-120dB	110-120dB

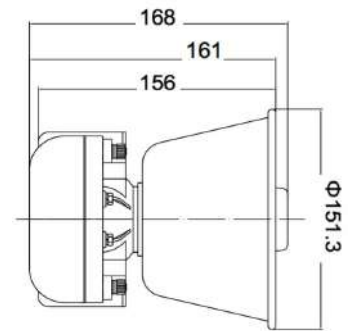
Speaker & Siren



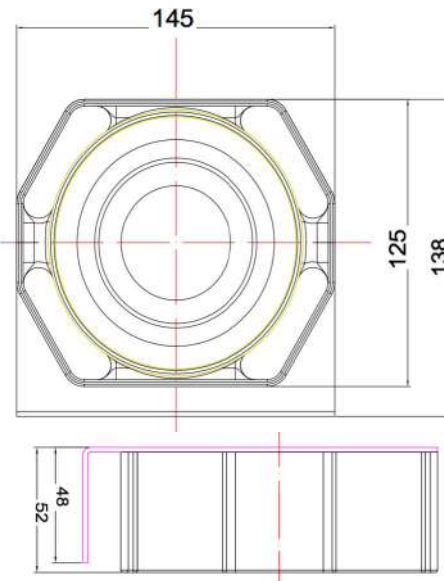
SP100-3B



SP100-9



SP100-3C



Model	NW-SP100-3B	NW-SP100-3C	NW-SP100-9
L*W*H(mm)	150x145x51.5	145x138x52	Φ151.3x168
Frequency/Voltage	400-4000Hz	400-4000Hz	400-4000Hz
Power	100W	100W	100W
Impedance	8Ω/11Ω	8Ω/11Ω	8Ω / 11Ω
Sound Distortion/ Sound	≤5%	≤5%	≤5%
Sound compression level	120- 130db	120- 130db	120- 130dB

Speaker & Siren



NV-SP200



NV-S100-2



Model	NV-SP200	NV-S100-2
L*W*H(mm)	205 x 173 x 132	188 x 162 x 87
Frequency/Voltage	400-4000Hz	400-4000Hz
Power	200W	100W
Impedance	6Ω/8Ω/11Ω	6Ω/8Ω/11Ω
Sound Distortion/ Sound	≤5%	≤5%
Sound compression level	120-130db	120-130dB

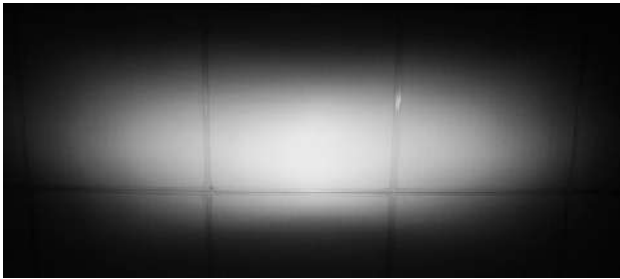
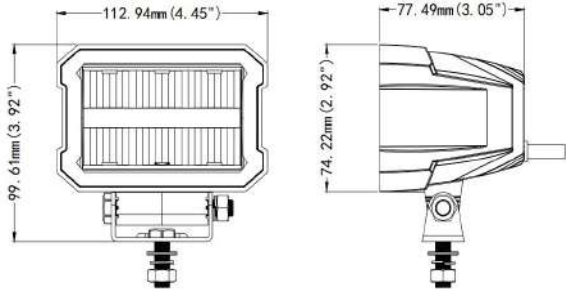
# LED Work Light



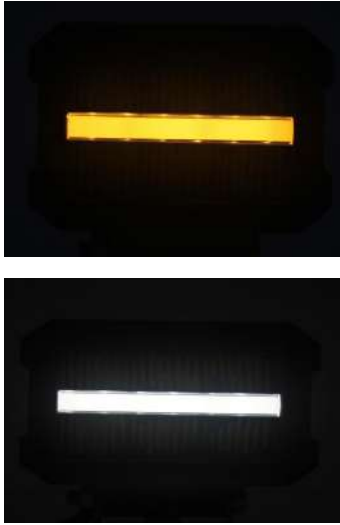
NW-NS25



Dimension



Position Light



FEATURE

- LED Driving light with Position light
- 10-30V Voltage
- Max Power: 25W led driving light, 3W position light
- 2800 raw lumens, and 2200 effective lumens
- Screwless innovative appearance design, smart but compact driving light
- High efficient reflector optical lens, maximize luminous efficacy of light source
- Latest work light, popular in European market
- ECE R10 approval and ECE R112 ,R7(white) compliance
- With dual color position light, amber color and white color

CODE	NW-NS25
LED	6x5W LED
Color Temp	6000K
Beam Lumens	2200 lm
Position Light	3W
Waterproof	IP69K
Voltage	10-30V
Dimension	113x74x77.5mm
Working temperature	-40-80°C

## NW-T120

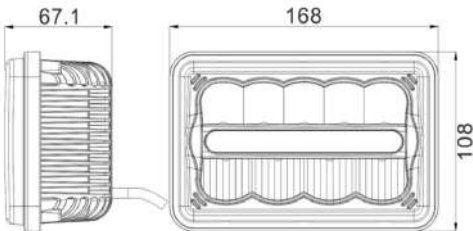
### FEATURE

Combinated Low and High Beam, with Position light/DRL function

- . 9-32V
- . @Low Beam:1600 lms & 20W
- . @High Beam:3000lms & 35W
- . @DRL: 180lms & 3W
- . IP68
- . Emark, R10 and R112 approval



### Dimension



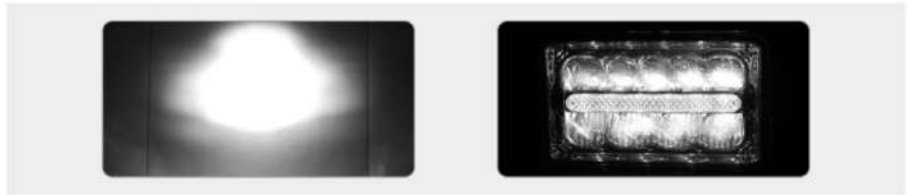
#### FRONT POSITION



#### LOW BEAM



#### HIGH BEAM



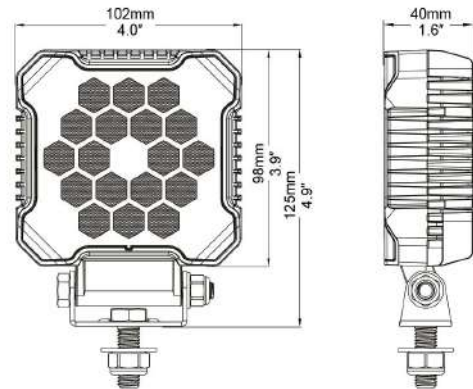
CODE	NW-T120
LED	4x 5W, 5X7W LED
Color Temp	5500K
Low Beam	1600 lm
High Beam	3000 lm
Waterproof	IP69K
Voltage	9-32V
Dimension	168x108x67.1mm
Working temperature	-40-80°C

## NW-E36

### FEATURE



- Flood light NW36 are designed for all vehicles 12V/24V. They are used as on-road/off-road trucks driving lights, scene lights or tractors working lights.
- Aluminum housing guarantees excellent heat dissipation. The updated sealing design ensures it's IP68 waterproof.
- High transparency PC lens and silica gel cable ensure the pod lights work perfectly from -40 to 80 Celsius degrees on automobiles and heavy-duties



CODE	NW-E36
LED	18 x 3W LED
Color Temp	6000K
Lumen	3600lm
Power	36W
Waterproof	IP68
Voltage	9-32V DC
Light patterns	Flood
Connector	Deutsch
Working temperature	-40-+85°C
Housing	Aluminum
Mount	Stainless steel bracket

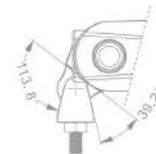
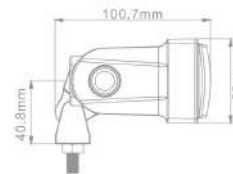
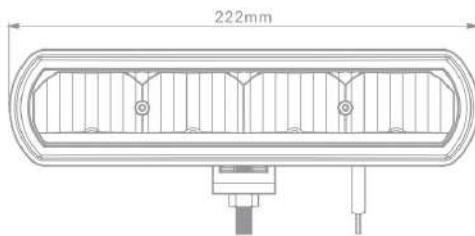


## Reflector Work light NW-F4



### FEATURE

- Output: 4000lm
- LED power: 40W
- CREE LED work lamp with unique design.
- R10, R112 approved
- Good heat dissipation
- It is suitable for any place, any vehicles.
- Single bolt or double bolts for options



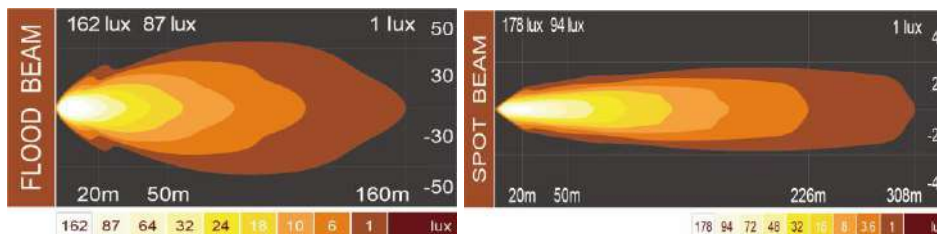
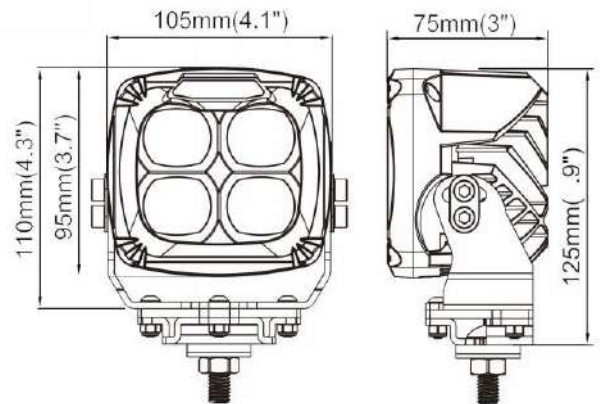
CODE	NW-F4
LED	4 x 10W LED
Color Temp	6000K
Lumen	4000lm
Power	40W
Waterproof	IP68
Voltage	9-32V DC
Mount	Single bolt or Two bolts
Working temperature	-40-+85°C
Housing	Aluminum
Bracket	Stainless steel bracket

## NW-S40



### FEATURE

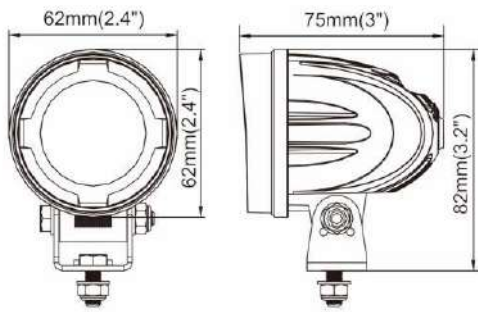
- Heated len (Snow- melting) & dimmable function for options
- Self-owned triangle type anti-vibration bracket, it guarantees uniform illumination of the work area for tractors and large machines
- High rigidity tempered glass len, better weather and shock resistance



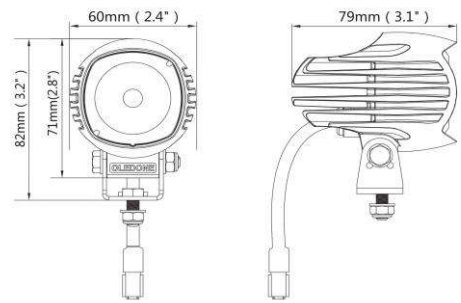
CODE	NW-S40
LED	4x 10W LED
Color Temp	5500K
Raw lum	4800lm
Max power	40W
Waterproof	IP69K
Voltage	10-32V
Dimension	105x95x75mm
Working temperature	-40-80°C

# WORK LIGHT

## NW-C1

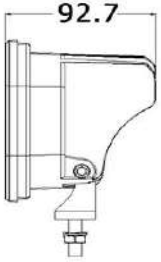
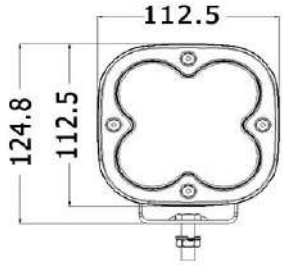


## NW-CB1



CODE	NW-C1	NW-CB1
LED	1 x 10W LED	15W or 10W LED
Color Temp	6000K	6000K
Raw lum	900lm	1650lm
Max power	10W	15W/10W
Waterproof	IP68	IP68
Voltage	9-48V	10-30V
Dimension	62x62x75mm	60Dx78.6mm
Working temperature	-40-80°C	-40-80°C

NW-S40D



DRL



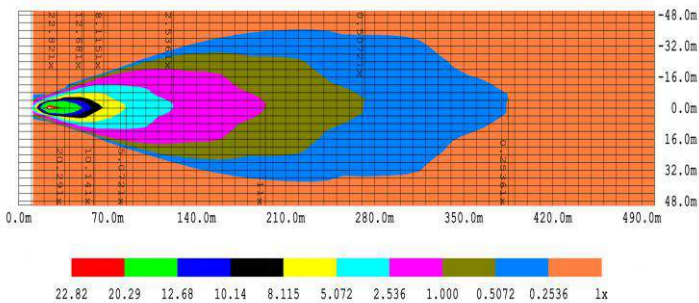
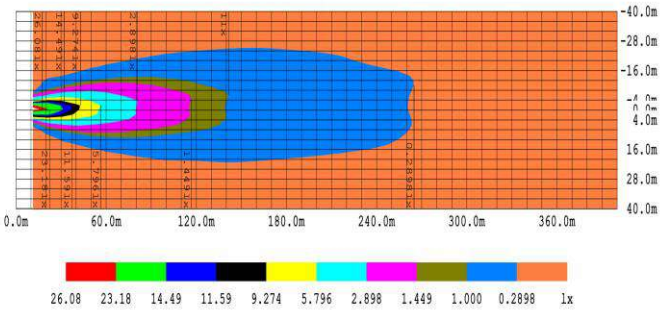
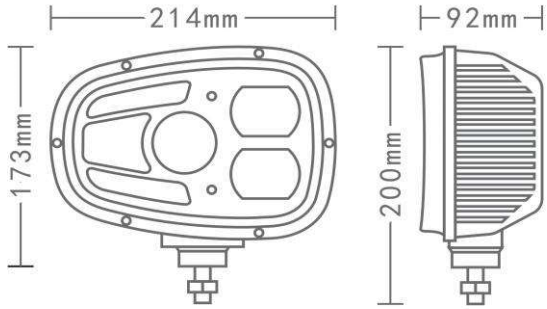
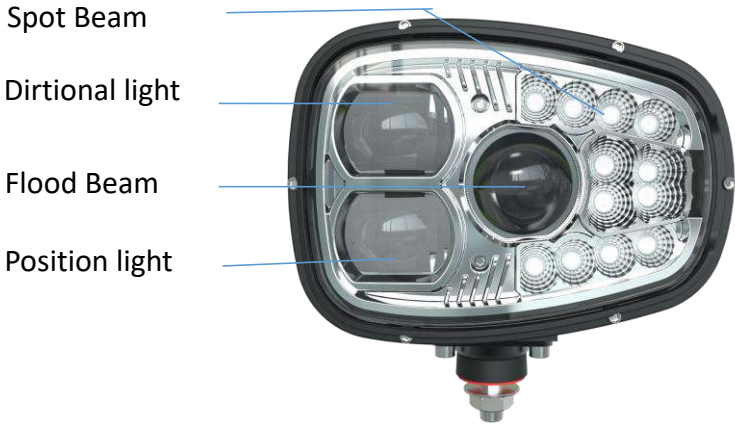
FEATURE

- Solid aluminum housing for efficient heat dissipation prolongs lifespan
- Adopts 4pcs high power LED, SPOT beam with DRL function - optional of amber color and clear color
- Rated IP67 for dust and water resistance
- Strong and robot design, suit for trailer&truck, heavy duty vehicles and construction vehicles

CODE	SPEC
DRL/Park light	1pcs 1W phillip LED
LED	4pcs 10W LED
Color Temp	5000-6500K
Effective lumen	2500lm
Effective Power	40W
Waterproof	IP67
Voltage	IP67
Dimension	112.5*112.5*92.7mm
Working temperature	-40-70°C

# WORK LIGHT

## NW-HL



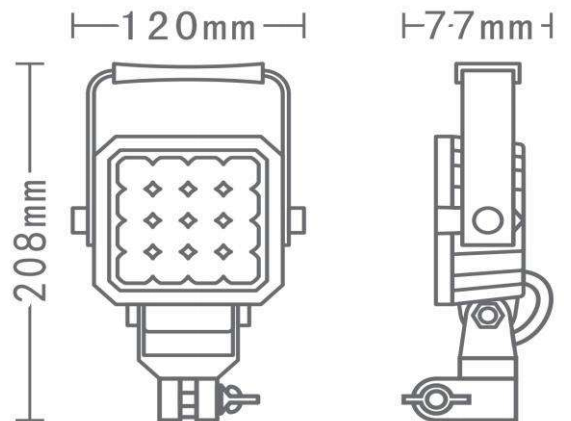
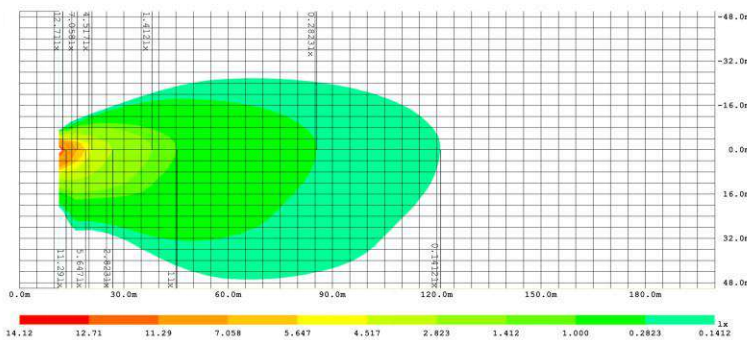
- Newest LED combination headlight takes traditional halogen headlight to a whole new level. Combining high beam, low beam, turning light, position light with R112, R6 and R7 certifications
- Heated lens, Snow- melting function
- High beam and low beam together, more suitable for driving

CODE	NW-HL
High beam/Spot	66W(3 x22W LED),1500lm
Low Beam/Flood	22W(1 x22W LED),850lm
Turning light	8W(8 x1W LED)
Position light	1.6W(8 x0.2W LED)
Waterproof	IP67,IP69K
Voltage	10-32V
Dimension	214 x92 x173mm
Working temperature	-40-80°C

## NW-M16

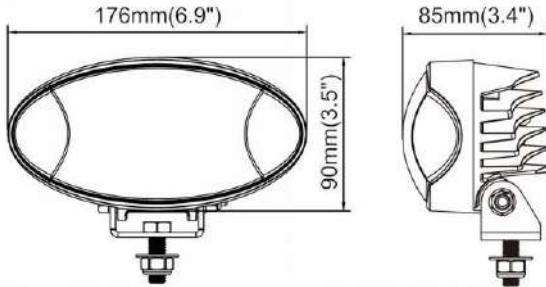
### FEATURE

- The magnetic and rechargeable work light, it is made of aluminum housing and heat-resistant plastic
- Built-in rechargeable battery, can be recharged by 12V DC car charger and 100-240V AC/DC standard power adapter
- Charge it 5 hours(fully charged), and use it 1.5hours
- Adjustable bracket provides multi-angle illumination, magnet base and portable handle make your hand free to do other things in the night. Great for car repair, home lighting, camping, hiking, power outages, emergency



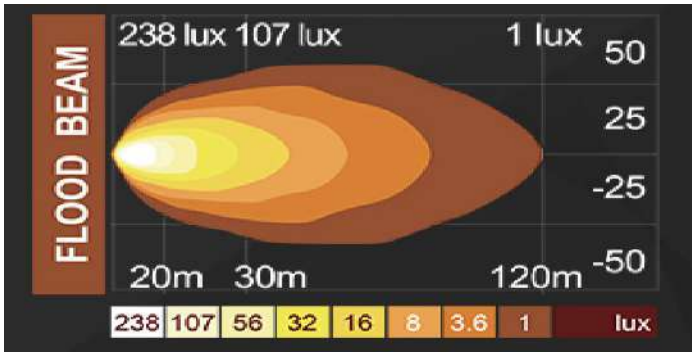
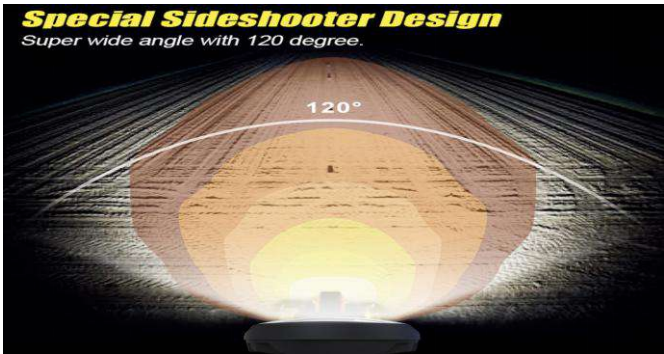
CODE	NW-M16
LED	16x 1W LED
Color Temp	5500K
Raw lum	1000lm
Max power	16W
Waterproof	IP69K
Voltage	6-8.4V
Dimension	120 x 77 x208mm
Working temperature	-40-80°C

**NW-C60**



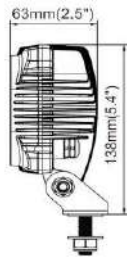
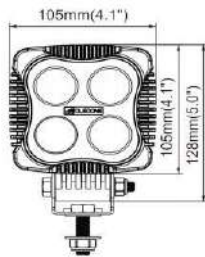
**FEATURE**

- Sideshooter Design, 120 degree wide angle ensure this work light is suitable for multiple applications and installation choices
- Colorchange function for options
- FLOOD beam, which can be used across numerous applications worldwide

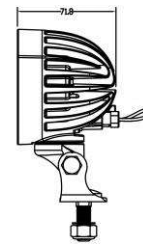
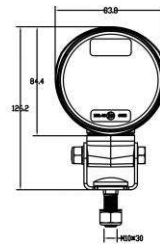


CODE	NW-C60
LED	60 W CREE LED
Color Temp	5500K
Raw lum	6000lm
Max power	60W
Waterproof	IP69K
Voltage	10-32V
Dimension	155x100x74mm
Working temperature	-40-80°C

## NW-S4



## NW-C4

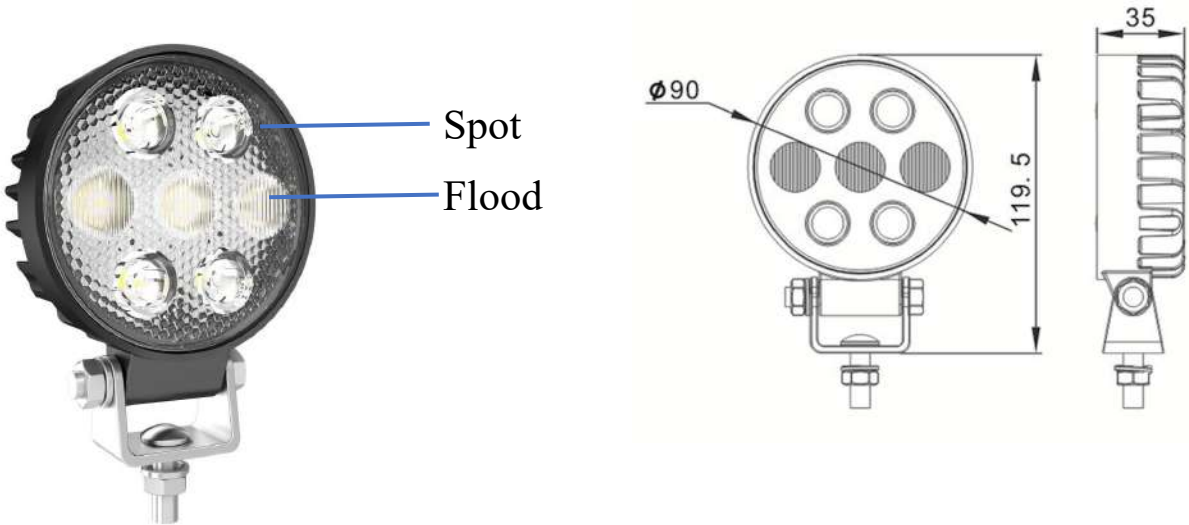


CODE	NW-S4	NW-C4
LED	4 x 10W CREE LED	4 x 10W CREE LED
Color Temp	6000K	6000K
Lumen	4800lm	3000lm
Power	40W	40W
Waterproof	IP68	IP687,IP69K
Voltage	9-48V	10-30V
Dimension	105x105x63mm	83.8 x 126.2 x 71.8mm
Working temperature	-40-80°C	-40-80°C



# WORK LIGHT

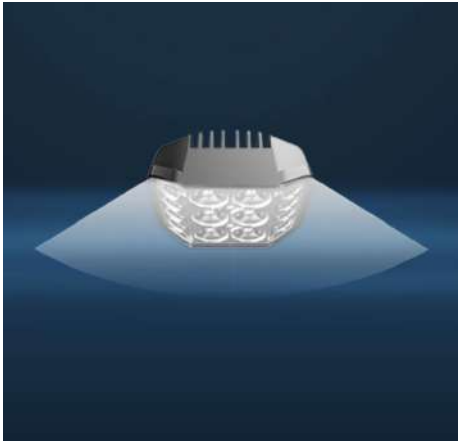
## NW-S14



## NW-S7

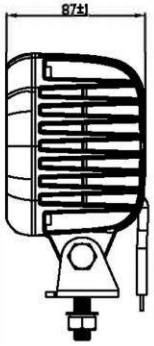
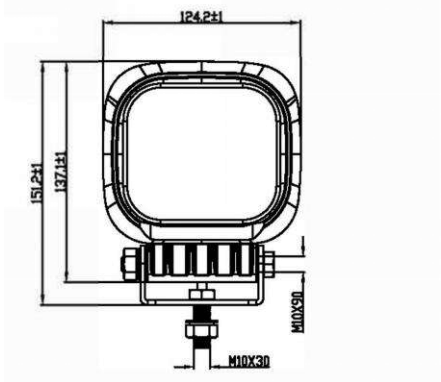


### Wide angle brightness



CODE	NW-S4	NW-C4
LED	4 x 10W CREE LED	4 x 10W CREE LED
Color Temp	6000K	6000K
Lumen	4800lm	3000lm
Power	40W	40W
Waterproof	IP68	IP687,IP69K
Voltage	9-48V	10-30V
Dimension	105x105x63mm	83.8 x 126.2 x71.8mm
Working temperature	-40-80°C	-40-80°C

NW-E9

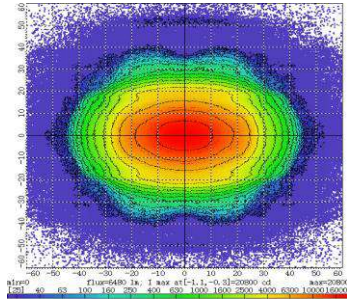
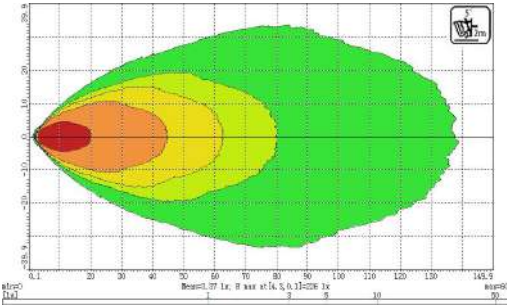


AMP plug



DT plug

- NW-E9 presents the new extreme corrosion resistant worklights with a special coating to improve the resistance of our worklights in harsh conditions.
- High brightness design, especially for heavy duty vehicles, like tractor, mining industry
- Flood and SPOT beam. Customization service is acceptable. DT connector, AMP connector and Cable-end is available



CODE	NW-E9
LED	9 x 10W LED
Color Temp	5000-6500K
Effective lum	5500lm
Effective power	60W
Waterproof	IP67, IP69K
Voltage	10-30V
Dimension	124.2 x 151.2 x 87mm
Working temperature	-40-50°C

## NW-S44



## NW-C44

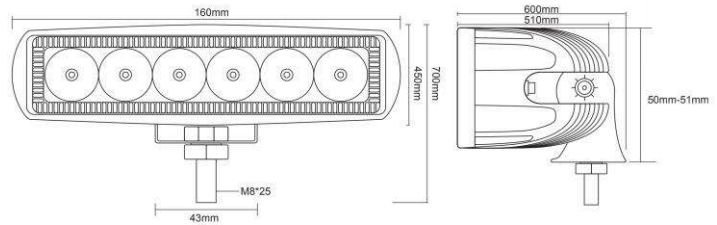


## FEATURE

1. Solid aluminum housing for efficient heat dissipation prolongs lifespan
2. Adopts 4pcs high power LED, flood and spot beam
3. Rated IP67 for dust and water resistance
4. Strong and robust design, suit for trailer & truck, heavy duty vehicles and construction vehicles
5. Classic design and popular in the market

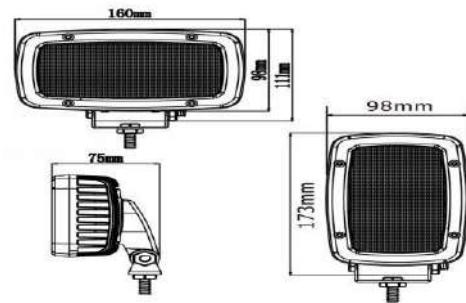
CODE	NW-S44	NW-C44
LED	4 x 3W LED	4 x 3 LED
Color Temp	6000K	6000K
Raw lum	950lm	950lm
Max power	12W	12W
Waterproof	IP67	IP67
Voltage	9-36V	9-36V
Dimension	60x60x84.8mm	65Dx59.5mm
Working temperature	-40-80°C	-40-80°C

## NW-S6



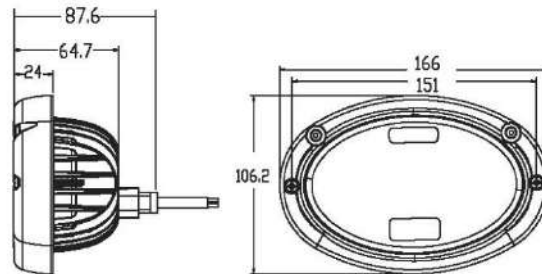
- One font popular design, greatly expand the lighting area.
- Low power with competitive price, which widely fit for the machinery, mining trucks, excavators, dozers, loading shovel, agricultural harvester, plough, tractors and etc.
- Flood and SPOT beam. Customization service is acceptable. DT connector, AMP connector and Cable-end is available

## NW-S21

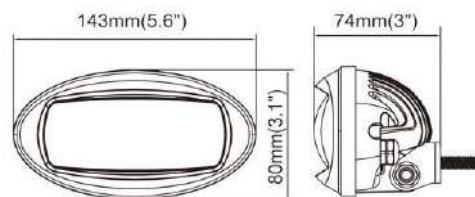


CODE	NW-S6	NW-S21
LED	6 x 10W LED	21pcs 3W LED
Color Temp	5000-6500K	6000K
Effective lum	4500lm	4320lm
Effective power	50W	36W
Waterproof	IP67, IP69K	IP69K
Voltage	10-30V	10-30V
Dimension	124.2 x 151.2 x 87mm	160x111x75mm
Working temperature	-40-80°C	-40-80°C

## NW-C10



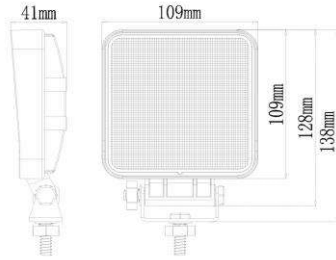
## NW-C5



CODE	NW-C10	NW-C5
LED	10 x 5W LED	5 x 5W LED
Color Temp	5000-6500K	6000K
Effective lum	3000lm	2250lm
Effective power	32W	25W
Waterproof	IP67, IP69K	IP68
Voltage	10-30V	10-32V
Dimension	166x106.2x87.6mm	143x80x74mm
Working temperature	-40-80°C	-40-80°C

# WORK LIGHT

## NW-S9



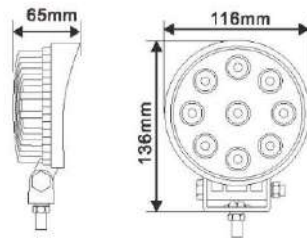
10-32V

IP69K

EMC

Super thin work light, popular in agriculture and forestry industry

## NW-C9



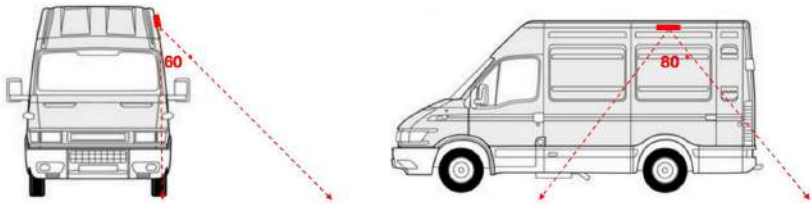
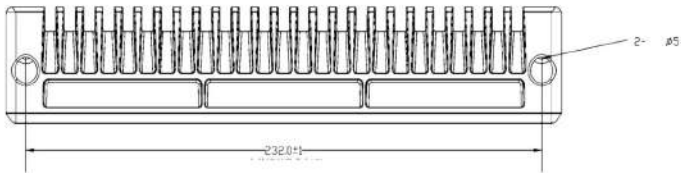
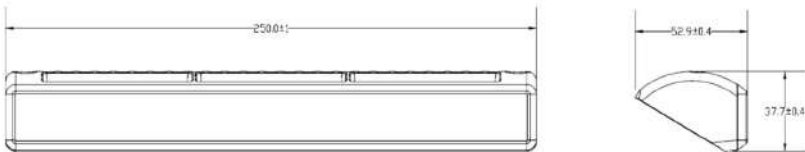
CODE	NW-S9	NW-C9
LED	9 x 3W LED	9 x 5W LED
Color Temp	5000-6500K	6000K
Effective lum	1600lm	2350lm
Effective power	18W	27W
Waterproof	IP67, IP69K	IP69K
Voltage	10-30V	10-30V
Dimension	109x109x41mm	116x136x65mm
Working temperature	-40-80°C	-40-80°C

NW-S12



CODE	NW-S12
LED	12 x 10W LED
Color Temp	6000K
Raw lum	7000lm
Max power	75W
Waterproof	IP67
Voltage	12-48V
Dimension	237 x 98 x229mm
Working temperature	-40-80°C

NW-L9



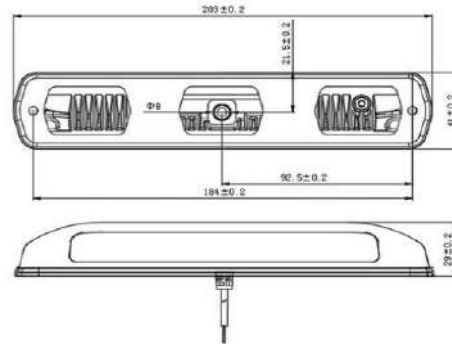
FEATURE

- NW-L9, solid aluminum housing for efficient heat dissipation prolongs lifespan
- Adopts 9pcs high power LED
- Rated IP67 for dust and water resistance
- Hidden bolt mounting

CODE	NW-L9
LED	9 x 3W LED
Color Temp	6000K
Raw lum	1700lm
Max power	27W
Waterproof	IP67
Voltage	10-30V
Dimension	250 x 37.7 x 52.9MM
Working temperature	-40-80°C



## NW-L6



### FEATURE

- NW-L6, solid aluminum housing for efficient heat dissipation prolongs lifespan
- Adopts 6pcs high power LED
- Rated IP67 for dust and water resistance
- Hidden bolt mounting

CODE	NW-L6
LED	6 x 3W LED
Color Temp	6000K
Raw lum	1500lm
Max power	18W
Waterproof	IP67
Voltage	10-30V
Dimension	203x41x29mm
Working temperature	-40-80°C

**NW-S36**



**LED driving Light**



**LED position Light**

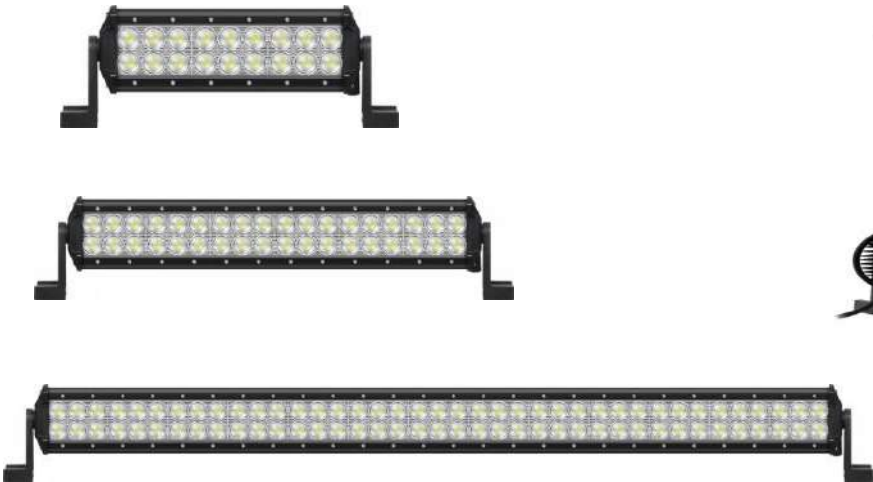
**FEATURE**

- NW-S36, solid aluminum housing for efficient heat dissipation prolongs lifespan
- Adopts 6pcs high power LED for driving light
- 3.3W position light
- Single bolt or two bolts mounting version
- Approval: ECE R112,R7, SAE/DOT /CE/RoHS

CODE	NW-S36
LED	10 x 4W LED
Color Temp	6000K
Raw lum	4000lm
Max power	40W
Waterproof	IP67
Voltage	10-30V
Dimension	195 X 38 X 65.6mm
Working temperature	-40-80°C

# OFF ROAD LIGHT

## NW-OR



## NW-OX

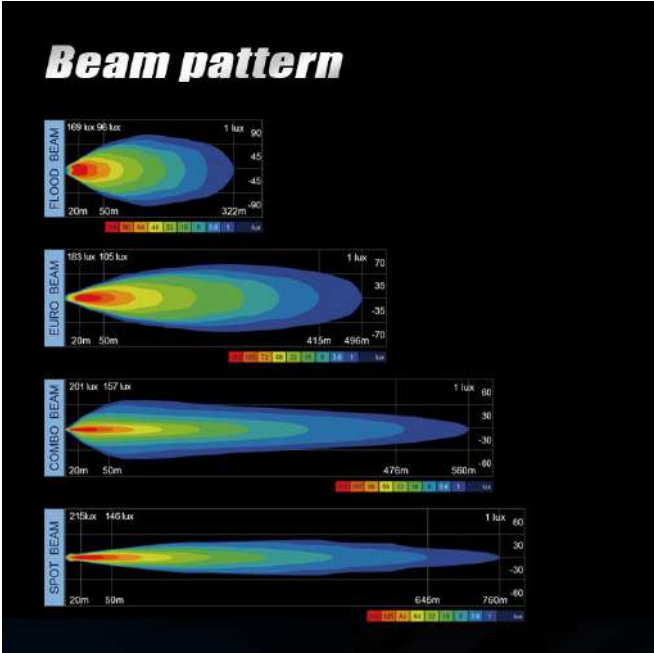


CODE	NW-OR	NW-OX
Size	10",20",30",40"	30 x 3W LED
Power	24W,48W,72W,108W	90W
Raw lumen	1020lm,2020lm,3250lm,4860lm	6250lm
Voltage	12-36V	90W
Waterproof	IP67	IP68
Working temperature	-40-80°C	-40-80°C



# OFF ROAD LIGHT

## NW-SL



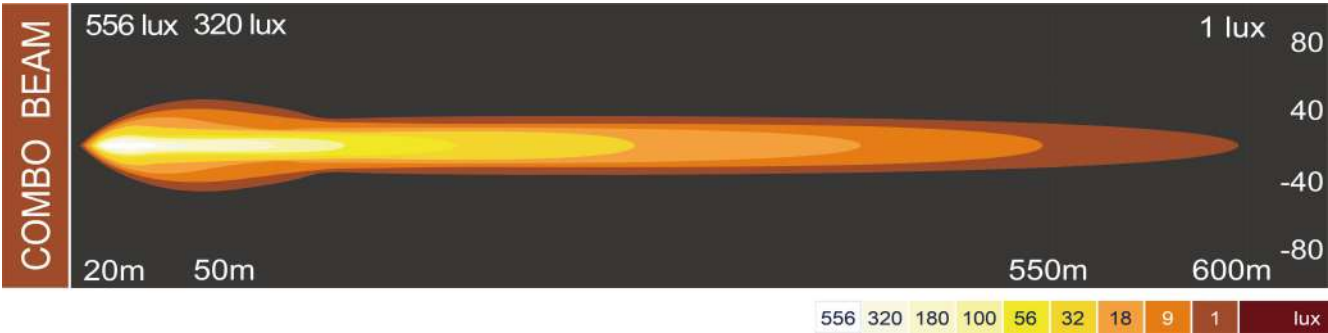
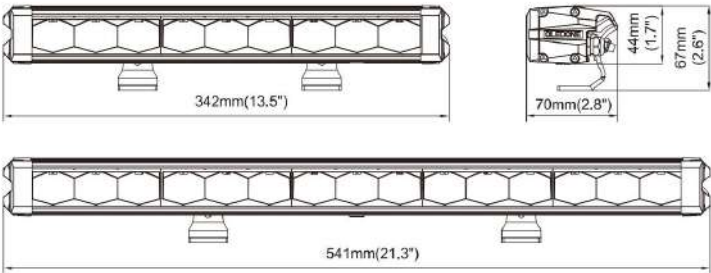
### FEATURE

1. DRL function applies to E-mark R87 regulation
2. OSRAM 10W LED chips, inner top mounted
3. E-mark approved, legal LED driving
4. Screwless & lightweight components design
5. Narrow rim design, wider optical surface

CODE	NW-SL10	NW-SL19	NW-SL23	NW-SL32	NW-SL40
Size	10"	19"	23"	32"	40"
Power	10W*6	10W*12	10W*15	10W*21	10W*27
Raw lumen	6000lm	12000lm	15000lm	21000lm	27000lm
Voltage	10-31V				
Waterproof	IP69K				
Working temperature	-40-80°C				

# LED LIGHT BAR

## NW-NNE



### FEATURE

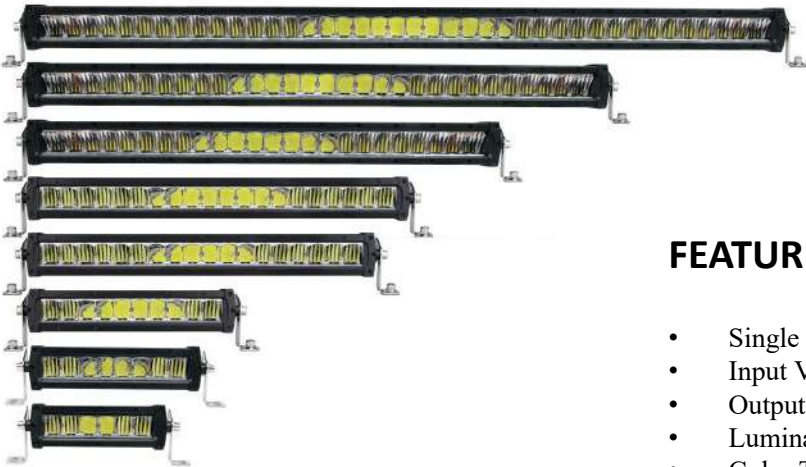
1. The most advanced reflector technology on the market.
2. No edge design lens and black reflector have a modern look.
3. 4500K or 6000K colour temperature, has been optimised to be easy on the eye. This gives a whole new level of driving comfort without compromising design.
4. Blue sidecover for options.
6. DRL functions for options.

CODE	NW-NNE13	NW-NNE21
Size	13"	21"
Power	10W*9	10W*15
Raw lumen	9000lm	15000lm
Voltage	10-32V	
Waterproof	IP69K	
Working temperature	-40-80°C	

**NW-E36 Series**

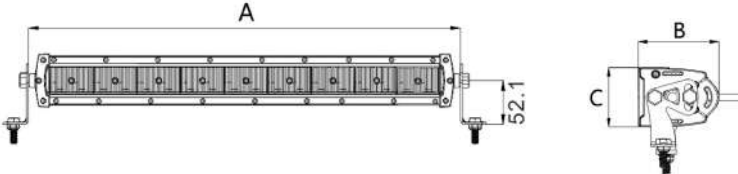


**Side stand**



**FEATURE**

- Single Row Side Emitting LED lightbar
- Input Voltage: DC10-32V
- Output Power: 30W -300W
- Luminance: 2500-30000lm
- Color Temp: 5000K or 6000K
- Led: CREE XTE 5W/ CREE XML 10W
- Less than 5% lumens depreciation in 30,000hrs



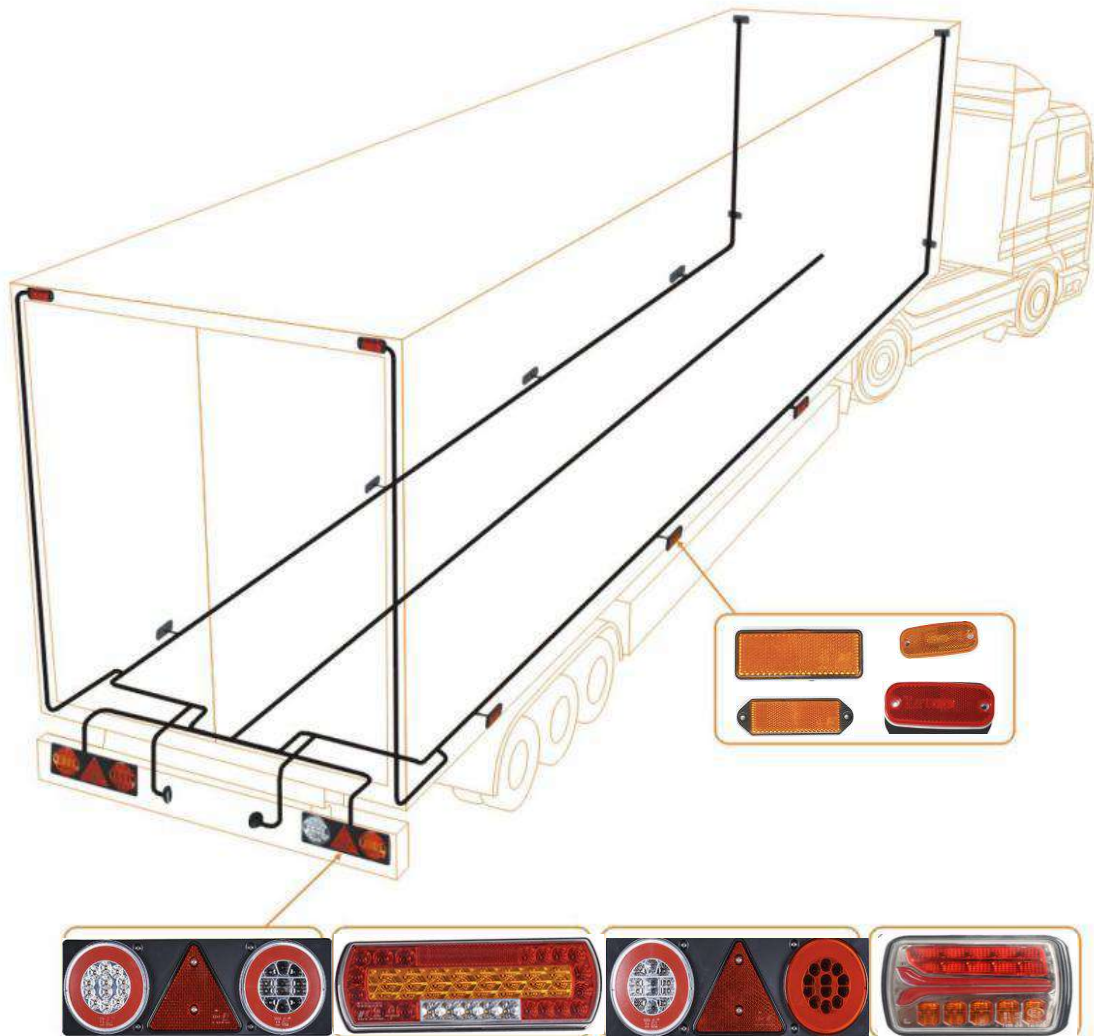
CODE	POWER	LUMENS	ANGLE	LEDS	SIZE(A*B*C)	
E36060	30W/60W	2448/6000	20°60°	6PCS 5W/10W	206.2x85x63.1	8.1"
E36080	40W/80W	3090/8000	20°60°	8PCS 5W/10W	258.2x85x63.1	10.2"
E360100	50W/100W	3500/10000	20°60°	10PCS 5W/10W	206.2x85x63.1	12.2"
E360120	60W/120W	5084/12000	20°60°	12PCS 5W/10W	206.2x85x63.1	14.3"
E360160	80W/160W	5600/16000	20°60°	16PCS 5W/10W	206.2x85x63.1	18.4"
E360180	90W/180W	6300/18000	20°60°	18PCS 5W/10W	206.2x85x63.1	20.4"
E360200	100W/200W	7000/20000	20°60°	20PCS 5W/10W	206.2x85x63.1	22.5"
E360240	120W/240W	8400/24000	20°60°	24PCS 5W/10W	206.2x85x63.1	26.5"
E360300	150W/300W	10500/30000	20°60°	30PCS 5W/10W	206.2x85x63.1	32.7"

# Signal Light



## Comibiation Signal Light

- ✓ Direction light
- ✓ Position light/Tail light
- ✓ Stop light/Brake light
- ✓ Fog light
- ✓ Reverse light





# SIGNAL LIGHT

## NS-TL013



### FEATURE

- 5Functions Tail light: Stop, Direction, Indicator, Position, License, Reflector.
- With Pin Connector type, left yellow, Right Green cable
- Each light in one PE bag

## NS-M8



- 2Functions Amber side marker
- Functions: Side marker light and Reflector
- Available with bracket

## NS-M9



- 3Functions end-outline marker light
- Functions: Front end-outline marker light, Rear end-outline marker light, Side marker light

CODE	NS-TL013	NS-M8	NS-M9
Function	5 functions	2functions	3functions
Dimension	106.4*98.8*32.3mm	65*65*23mm	173.5*55.9*115.7mm
IP rate	IP67		
Voltage	12-24V		
Certiifcation	ECE		

## Trail light

NS-TL009



## SIGNAL LIGHT

### FEATURE

#### Single-functional LED small truck light

- . 10-30V
- . R7, R10 and Rohs approval
- . IP67
- . Embedded mounting with black PVC grommet
- . Dimension, 186x76x26mm

CODE	NS-TL009
Voltage	10-30V
Function	Tail light
Mount	Embedded Mount
Waterproof	IP67
Certification	ECE R10
Dimension	186x76x26mm

# SIGNAL LIGHT



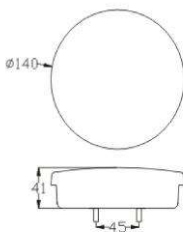
**Tail light**



**Fog light**



**Reverse light**



## FEATURE

- Classic and popular tail light, with many functions
- Optional bracket, big bowl bracket
- Rated IP67 for dust and water resistance
- Hidden bolt mounting

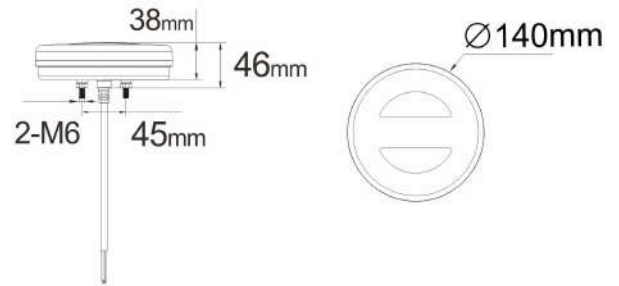


CODE	NS-TL002T	NS-TL002F	NS-TL002R
Function	STT	Fog and Position	Reverse and Position
LED/Power	Turning: 6leds/1.4W Position: 17leds/4.3W Stop: 6leds/1.5W	Fog: 12leds/3.5W Position: 17leds/4.3W	Reverse: 12leds/3.5W Position: 17leds/4.3W
IP rate	IP67		
Voltage	12-24V		
Dimension	140mm diameter		
Certiifcation	E4 approval		

# SIGNAL LIGHT



**Tail/Reverse**



**Tail/Turn**



**Tail/Stop/Reverse**



**Tail/Stop/Turn**



CODE	NS-TL010	NS-TL011E	NS-TL011U
Function	Tail/Stop/Reverse	Tail/Stop/Turn	Tail/Stop/Turn
LED/Power		Tail: 1.2W Stop: 2.2W Dynamic Indicator: 4.4W Reverse: 3.5W	
IP rate		IP67	
Voltage		10-30V	
Dimension		140mm diameter	
Certiifcation		E9 approval	

# SIGNAL LIGHT

**NS-TL007**



**NS-TL005**



**NS-TL006**

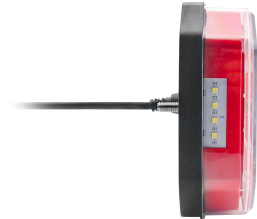
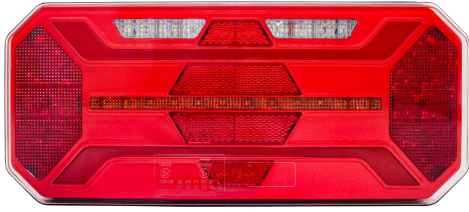


**NS-TL004**



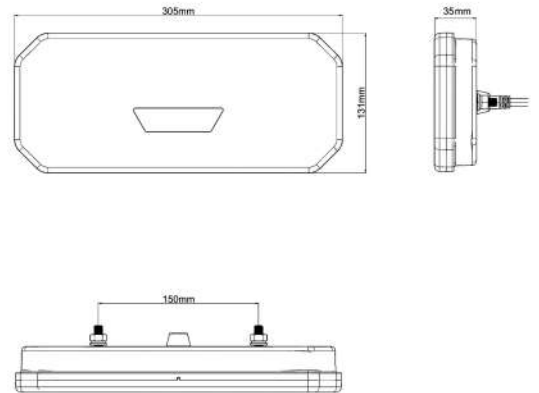
CODE	NS-TL004	NS-TL005	NS-TL006	NS-TL007
Voltage	12-24V			
Function	STT, reversing, licence light			
Mount	Screw Mount			
Waterproof	IP67			
Certification	ECE R6, R7, R3, R4, Rohs			
Dimension	227.6x105.8x55mm	282x102x37mm	Φ140x41mm	165x80x35mm

## NS-TL007



## FEATURE

- Multifunctional Rear Combination Light
- 10-30V
- Functions: Dynamic indicator/Stop/Rear position/ License/Reflector/Fog/Reverse
- IP67
- ECE R3, R6, R7, R23, R38, R10
- Dimension, 305x140x35mm

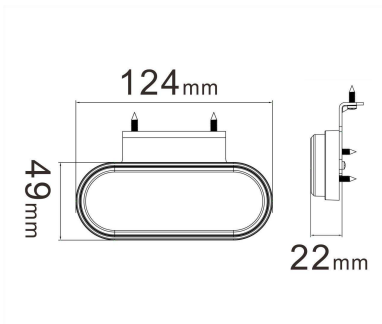


CODE	NS-TL012
Voltage	10-30V
Function	STT, reversing, fog, licence light
Mount	Screw Mount
Waterproof	IP67
Certification	ECE R6, R7, R3, R38, R10
Dimension	305x140x35mm

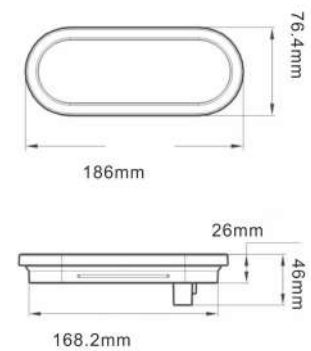


**LED Side Marker**

**NS-M7**



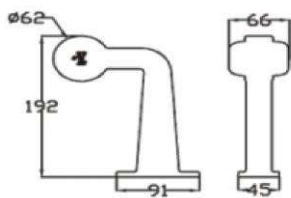
**NS-TL008**



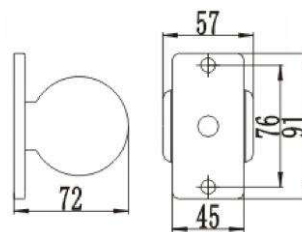
CODE	NS-M7	NS-TL008
Voltage	10-30V	
Function	Position light, Side marker	Tail light, Stop light, Position light and Turning light
Mount	Bracket Mount	Embedded Mount
Waterproof	IP67	
Certification	ECE R7, R3, R91 R10	R7, R10 and Rohs
Dimension	124x49x22mm	186x76x26mm

**LED Side Marker**

**NS-M2**



**NS-M3**



CODE	NS-M2	NS-M3
Voltage	12-24V	
Function	Stalk Light	
Mount	Scretw Mount	
Waterproof	IP67	
Certification	E4	
Dimension	192x91x66mm	91x72x57mm



## LED Side Marker



M43



M9985



M44



M9989



M9986

CODE	COLOR	LED	VOLTAGE	POWRE	SIZE(mm)
M9990	red, amber	3pcs x 1w	12-24V	3W	Φ18.6(3/4Inch)x23
M9985	amber	4pcs x 1w	12-24V	4W	50.6x14.9x21.7
M9965	amber	4pcs x 1w	12-24V	4W	44.2x18.5x22
M9989	amber	3pcs x 1w	12-24V	3W	66.5x11x10.8
M9986	amber	4pcs x 1w	12-24V	4W	87.7x16x14.8

**LED Side Marker**

**NS-M4**



**NS-M5**



**NS-M1**



CODE	NS-M1	NS-M4	NS-M5
Voltage	12-24V		
Function	Side Marker/Position lamp		
Mount	Scretw Mount/Bracket Mount		
Waterproof	IP67		
Certification	E4		
Dimension	99x42x38mm	95x38x10mm	111x46x16mm

# Wireless Trailer Light



CODE	NS-TW01SC
Voltage	12/24V
Function	STT function
Mount	Magnetic Mount/Suction Cup Mount
Waterproof	IP67
Certification	E-mark R3, R4, R6, R7, R23, R10, RoHS
Dimension	100x100x45mm



## Wire Trailer Light Kits

---



### FEATURE

1. 12-24V wire led trailer light
2. Wireless or wire trailer light for options
3. Suitable for trailers or truck vehicles
4. EU Plug wiring configurations and vehicles fitted with a 7-pin or 13-pin plug towing trailers.
5. 5-Functions: brake lights, rear turn signal lights, rear position lights, license plate lights, and return reflectors
6. CE, RF,EMC, Rohs, Healthy report Compliant

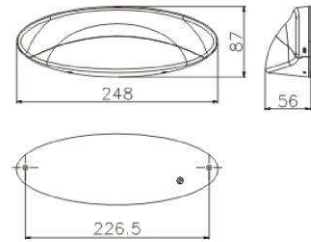
# Auxiliary Light



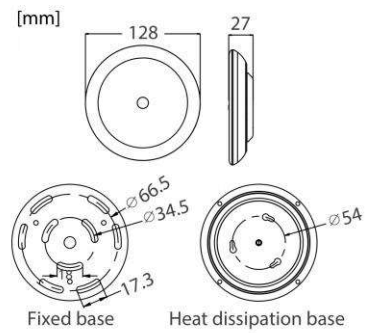
# Interior Light

# AUXILIARY LIGHT

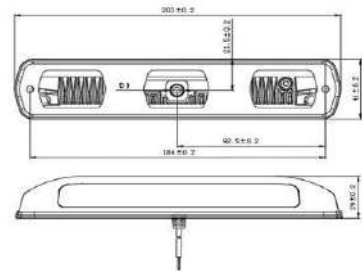
**NA-IT2**



**NA-ILS**



**NW-L6**



CODE	NA-IT2	NS-ILS	NW-L6
Voltage		12-24V	
Function		Interior Light	
Mount		Screw Mount	
Dimension	248x87x56mm	Φ128x27mm	203x41x29mm

# AUXILIARY LIGHT

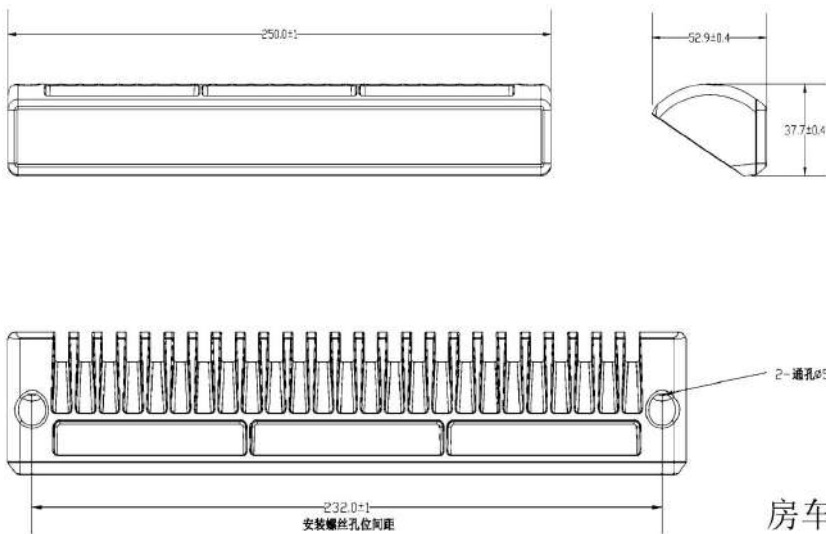
## NW-L9



### Specification

1. Powerful LED, be more brighter
2. 10-60V multi-voltage, suit for Bus, heavy duty vehicles
3. Can be bespoked in red and black aluminum housing
4. Side mount, side work light
5. R10 in pending

### Dimension:



### Application:



CODE	Power	LED	Voltage	Lumen	Dimension
NW-L9	27W	9pcs x 3W LED	10-60V	1700lm	250X37.7X52.9MM

# AUXILIARY LIGHT

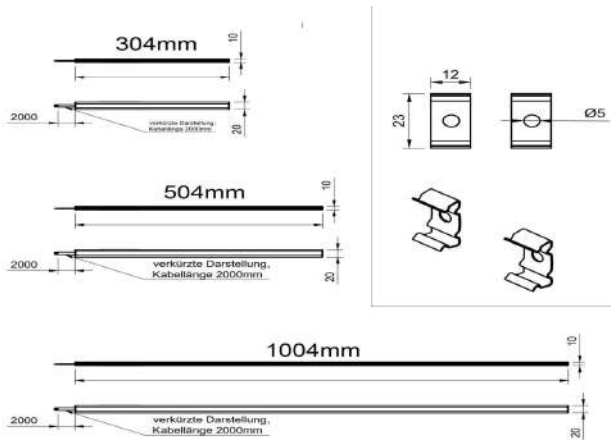
## NSL Series



### Application:



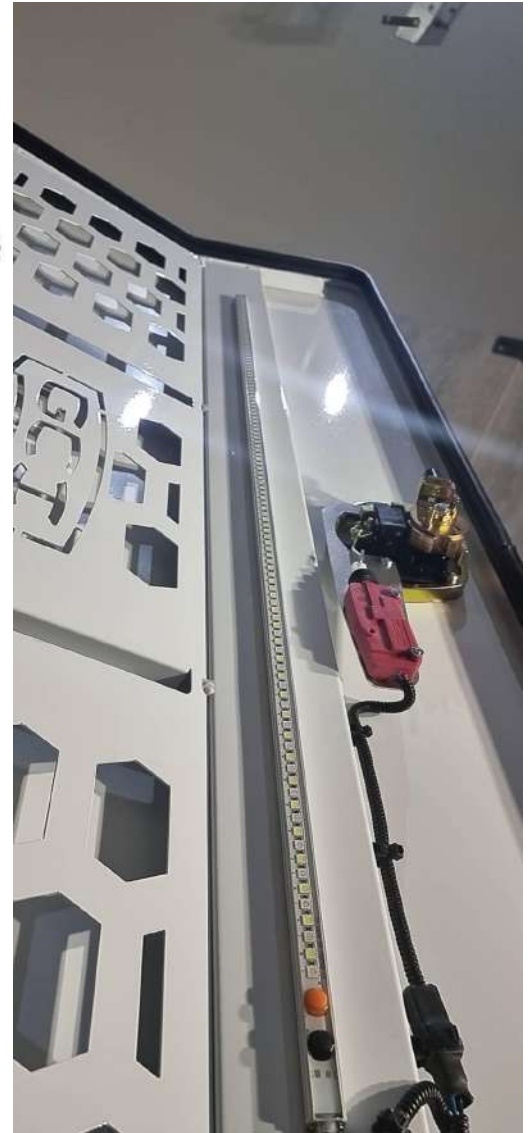
### Dimension:



Specification	NSL300C	NSL500C	NSL1000C
Dimension	304x20x10mm	504x20x10mm	1004x20mmx10mm
Luminous	400lm	600lm	1200lm
Light color		4500K, 5000K, 6000K	
LED Chips		SMD2835	
Wattage	Max 4W	Max 6W	Max 12W
Power supply		10-30VDC	
Cable		1 or 2 meters	
Waterproof		IP67	
Accessories		2x stainless steel mounting clips	



## NSLX Series



Clear silicone waterproof or Milky silicone waterproof

PVC base or Aluminum alloy Base

Specification	NSLX200	NSLX500	NSLX700	NSLX1000
Dimension	200 x18.5x11.5mm	500x18.5x11.5mm	700x 18.5x11.5mm	1000x18.5x11.5mm
Light color	4500K, 5000K, 6000K			
LED Chips	SMD5050			
Wattage	3W	8W	12W	17W
Power supply	10-30VDC			
Cable	2 meters			
Waterproof	IP67			
Accessories	2x stainless steel mounting clips			

# Vehicle Vision Safety System

## Camera



NC-2005



NC-2003



NC-2006



NC-2004

CODE	NC-2003	NC-2004	NC-2005	NC-2006
Image Type	1/2.8" SNOY CMOS			1/3" CMOS
IP	IP69K		IP68	IP65
Shockproof	10G	5G	5G	5G
Effective pixel	1920(H)x1080(V)			
Horziental resolution	1080P			
Illumination	0 Lux (10pcs IR LEDs for night vision, IR distance 10m)	0 Lux (10pcs IR LEDs for night vision, IR distance 15m)	0 Lux (10pcs IR LEDs for night vision, IR distance 10m)	0 Lux (6pcs IR LEDs for night vision, IR distance 45ft)
Wide Viewing Angle	130 degree		120 degree	
Video Output	AHD 1080P			
Working Temp	-20-+60 °C		-30-+70 °C	
Working Voltage	12V			
Dimension	74(W)X 64(H)X56(D)mm	76(W)X 77(H)X66(D)mm	76(W)X 63(H) mm	69(W)X 55(H) mm

# Vehicle Vision Safety System

## HD Camera System



NC-2002



NC-2001

CODE	NC-2002	NC-2001
Screen Size	7", 16:9	7", 1024X600
Screen Modes	Single Screen/Dual Screen with built-in wireless receiver	
Receiving Sensitivity	≤86dB	
Mirror Image Rotation	Non-mirrored, Mirrored, Rotation, Mirrored rotation	
System Format	PAL/NTSC/AUTO	PAL/NTSC
Resolution	1024RGB(H)*600(V)	
Brightness	300cd/m <sup>2</sup>	400cd/m <sup>2</sup>
Viewing Angle(CR>10)	LVDS screen U:40/D:65,R/L:65	LVDS screen U:70/D:75,R/L:65
Operating Temp	-20 - +65 °C	-20 - +70 °C
Operating Voltage	DC12/24V	DC8-32V
Dimension	182L*124W*75Tmm	216L*150W*80Tmm



**You Can Count On Us**

## **Ningbo NOVA Techonolgy Co., Ltd**

ADD: Rm1003, Qilin Building, No.1501 Tiantong north road, Yinzhou, Ningbo, Zhejiang, China

Tel: +086-13566598921

Email: [smenovavehicle.com](mailto:smenovavehicle.com)

Web: [www.novavehicle.com](http://www.novavehicle.com)

**2007 - 2021**

NNS

[www.novavehicle.com](http://www.novavehicle.com)