



NOVA
INNOVATIVE

Your Automotive Lighting Partner

LED

WARNING LIGHT

Your automotive lighting solution partner



2007 - 2021

NNS

www.novavehicle.com

ABOUT US

Our Office



NOVA Vehicle is a professional emergency Warning Light Manufacturer and led vehicle lighting supplier, has been specialized in auto light industry over 15 years. We focus on R&D and commit to develop new products that meet market trends and customer's needs.

Our strength is offering the professional whole vehicle lighting solution for trailer and truck, construction vehicles, transport, utilities, agriculture and forestry, marine, manufacturing and etc., building new product line, upgrading your existing product, customizing product with your demands.

Our Factory

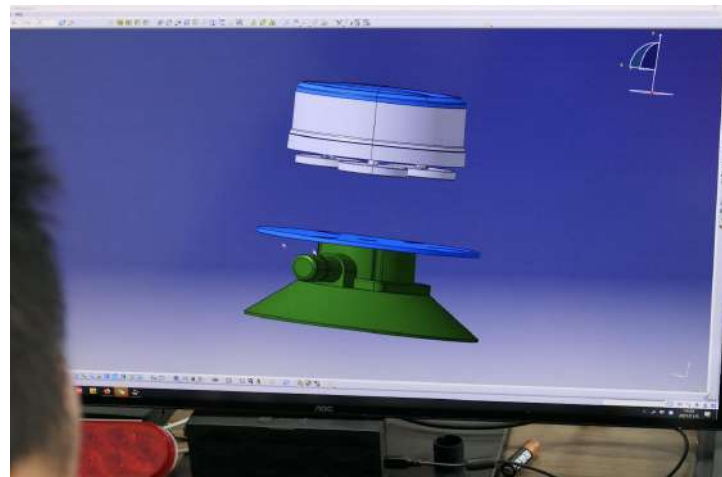


Our main products are warning lights, work lights, tail light, interior lights, Camera and monitor etc..

Our service is offering the right products with professional efficient service, the solution will be delivered within 24hours.

Integrity, a willingness to learn and to better our company, innovation, team work and dedication to client service are the foundations of our corporate values.

Our Production



Let's Build Great Things Together



Serious as regards to the establishment and development of business relationships that truly are mutually-beneficial



Manufacture Process Control

SMT Workshop



- AOI Inspection
- Power-On function Check
- PCB system inspection

Production Workshop



- Operator Self-Check
- QC Routing Inspection
- 2Hours Aging Test
- Finished Goods Inspection before Package

Quality Control - Testing

In-house & Outside Application Test



Testing Equipments



EMC Test



Heavy Metal- Rohns Test



Vibration Test



Optical Test



Hi-Low Temp. Test



Anti-Dust Test



Waterproof Test



Salty-Corrosion Test



CONTENTS

Warning lights

- Lightbar
- Lighthouse
- Beacon
- Traffic directional
- Visor light
- Siren & Speaker

Work light

- Work lamps
- Off-road light

Auxiliary light

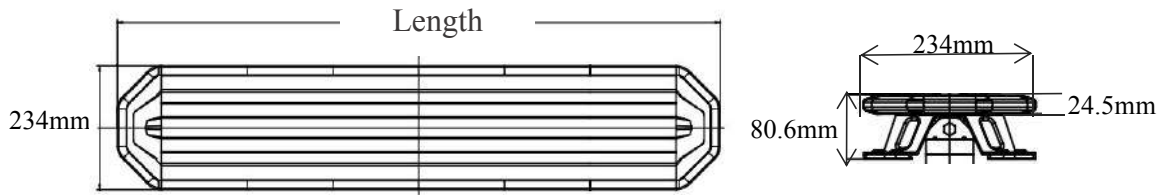
Signal light

- Marker light
- Tail light/Position light



WARNING LIGHT

R65 TA2



Length available : 629mm, 782mm, 1086mm, 1239mm, 1544mm, 1848mm

FEATURES

- * Ultra-slim body, 24.5mm height, only 0.96"
- * Aluminum alloy housing, strong structure and excellent in heat dissipation
- * High-quality LEDs ensure consistent performance, extremely low current draw
- * Fully encapsulated for moisture, vibration and corrosion resistance
- * Completely with ECE R65 Class2, CISPER25 and SAE certification

Flash patterns

5 modes fash

- * Single fash by day
- * Single fash by night
- * Double fash
- * Triple fash
- * Single fash Alt. Left & Right half

5 modes rotation

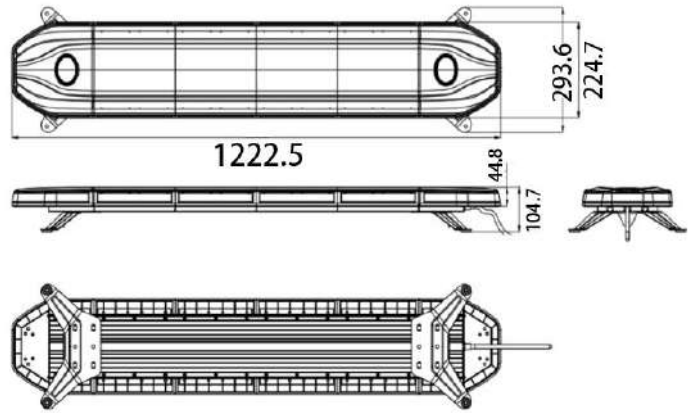
- * Slow anticlockwise rotation
- * Slow clockwise rotation
- * Quick anticlockwise rotation
- * Quick clockwise rotation
- * Rotation

Hook
(Optional)



Item	Voltage	Color	Power	Watt.	Function	Wire	Approval	IP	Mounting
NV-LPRO	12-24VDC	Amber, Red, Blue, White	204 X 1W	106W	Cruiselight, arrow light for option	3.5m cable	ECE R65 TA2, ECE R10	IP66	Screw or bracket mount for option

WARNING LIGHT



FEATURES

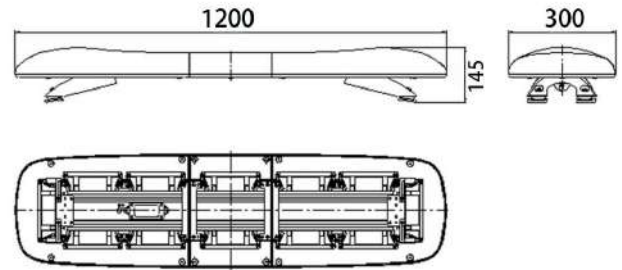
1. Ultra-slim body, available with 20", 32", 40", 48", 56", 64", 72"
2. Available with **amber lens and clear lens**. Finely designed polycarbonate lens shape produces uncompromising illumination
3. 1W high-quality LEDs ensure consistent performance, extremely low current draw
4. Aluminum die-cast base provides excellent heat dissipation
5. Fully encapsulated for moisture, vibration and corrosion resistance
6. Available with wireless Controller or wire Controller

Item	Voltage	Color	Power	Watt.	Certification	Function	Patterns	Mounting
NVL-TL	10-30V	Amber, Red, Blue, White	126 pcsX 1W	126W	ECE R65,R10,SAE	Traffic arrow light, Dimming Function	10	Screw or bracket mount for option

WARNING LIGHT



Comb-48



FEATURES

1. Available with 629mm, 782mm, 1086mm, 1239mm, 1544mm, 1848mm
2. Clear lens or colored lens is opinions
3. Aluminum die-cast base provides excellent heat dissipation
4. Fully encapsulated for moisture, vibration and corrosion resistance
5. With 100W speaker for option
6. Dimension, 1200 × 378 × 212mm



Comb-S48



Item	Voltage	Color	Power	Watt.	Function	Patterns	Mounting
Comb-S48	12/24V DC	Amber, Red, Blue, White	60 pcsX 3W	96W	Traffic arrow light for option	13	Screw or bracket mount for option
Comb-48			72pcs X 3W LED	132W	Take down light,, alley light and arrow light for option		

WARNING LIGHT

R65 TB2 TR2



High brightness Lightbar
 Dimention: 118 * 31 * 11.7cm
 12/24VDC 88 X 3W LED
 ECE R65 TA1

NV-L



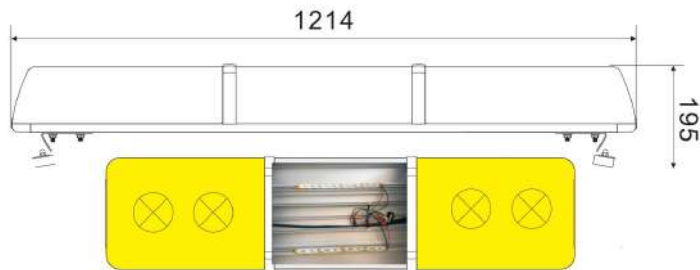
Narrow lightbar
 12/24VDC
 Length available: Length (20cm, 32cm, 80cm, 106.8cm, 130cm, 150cm, 175cm)
 Width 11cm* Height 6.7cm



NV-LNO

Item	Voltage	Color	Power	Watt.	Function	Wire	Mounting
NV-LNO	12/24VDC	Amber, Red, Blue, White	102pcs X 3W	306W	Take down light, arrow light for option	5m cable	Screw or bracket mount for option
NV-L	12/24VDC		84pcs X 3W LED	252W			

NV-STRO

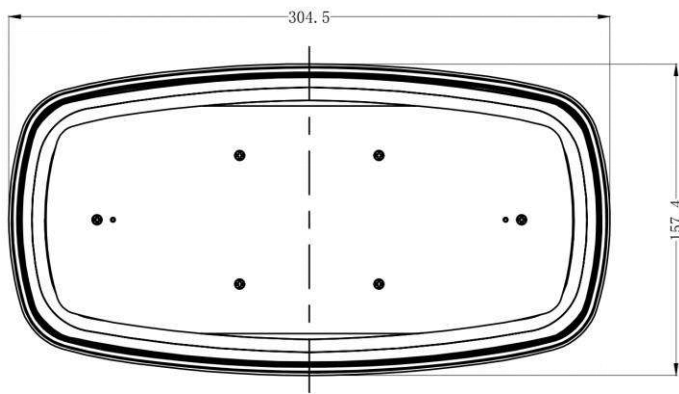


FEATURES

- * Lens Color: Red/Blue/Amber/Transparent
- * Speaker: Available
- * Light Frequency: 1-4HZ
- * Light Intensity: ≥ 1200
- * Ambient temperature: $-40^{\circ}\text{C} \text{---} +75^{\circ}\text{C}$
- * With two buttons switch
- * Popular in construction industry, agriculture and forestry industry, mining industry, municipal works

Item	Voltage	Color	Power	Watt.	Function	Wire	Light Options	IP	Mounting
NV-STRO	12/24VDC	Amber, Red, Blue, White	48 X 1W	3W	Flash	3.8m cable	Halogen, HID, LED	IP66	Permanent Mount

Mini Bar

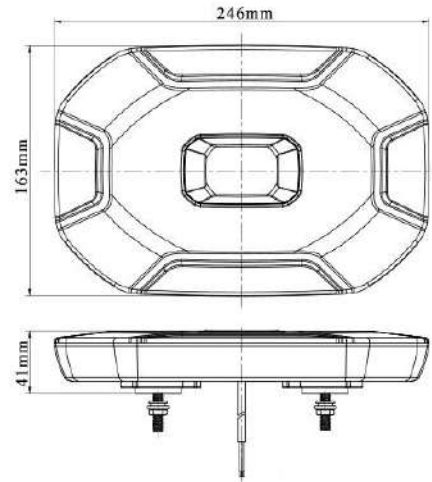


FEATURES

- * Popular mini lightbar meets all kinds of vehicles
- * 84pcs LED, makes the light source uniform distribution
- * Magnets mount with 2.5m cables with cig plug
- * ON/OFF, MODE buttons options

Item	Voltage	Color	Power	Patterns	Wire	Mounting	Approval
NV-ML84	12/24VDC	Amber, Red, Blue, White	84pcs X 1W	5 modes fash + 2 modes rotation	2.5m cable	Magnet mount	SAE J845 ECE R65 R10

Mini Bar



Bracket Mount



4 Bolts Mount



Magnets Mount

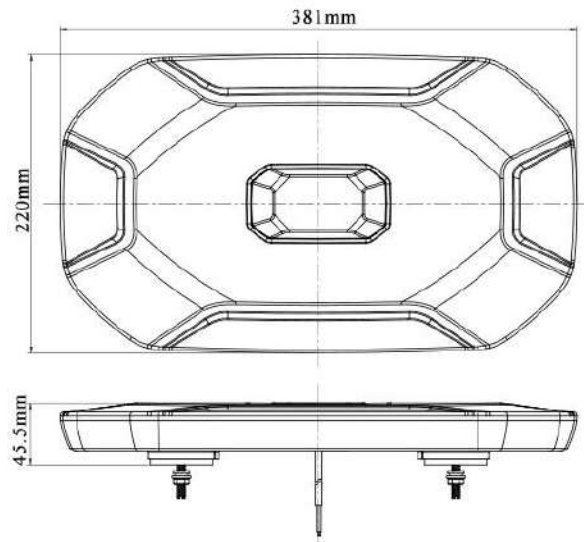
FEATURES

- * SAE J845 Class 1 and CISPR 25 Class3 Certified, virtually no RFI/EMI radiation
- * Strong polycarbonate cover and lens are all finely molded with streamline appearance.
- * Innovative design with fewer components ensure stability during extended dwell time.
- * 12 optional flash patterns and can be customized.
- * 360 ° fully glowing surface with strong overall visual effects.

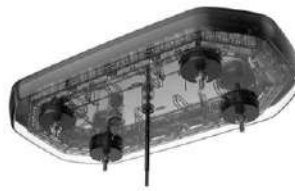
Item	Voltage	Color	Power	Patterns	Wire	Mounting	Approval
ML10	12/24VDC	Amber, Red, Blue	40pcs X 1W	12pcs flash pattern	50cm or 2.5m cable	3options	SAE J845 ECE R65 R10

WARNING LIGHT

Mini Bar



Bracket Mount



4 Bolts Mount



Magnets Mount

FEATURES

- * SAE J845 Class 1 and CISPR 25 Class3 Certified, virtually no RFI/EMI radiation
- * Strong polycarbonate cover and lens are all finely molded with streamline appearance.
- * Innovative design with fewer components ensure stability during extended dwell time.
- * 12 optional flash patterns and can be customized.
- * 360 ° fully glowing surface with strong overall visual effects.

Item	Voltage	Color	Power	Patterns	Wire	Mounting	Approval
ML15	12/24VDC	Amber, Red, Blue	92pcs X 0.5W	12pcs flash pattern	50cm or 2.5m cable	3options	SAE J845 ECE R65 R10

WARNING LIGHT

LED Flexible Warning light NV-FW



FEATURES

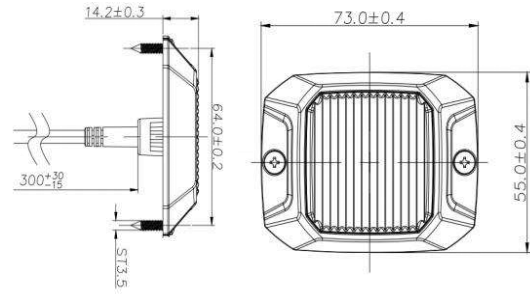
- . A flexible and waterproof warning light designed to mark the stand, but can be used anywhere on vehicles and machines.
- . A simple and tool-free mounting with two cable ties that ensure a stable mounting.
- . The length is available 19cm 24cm 34cm
- . The standard voltage is 12V, can be bespoke to 10-30V



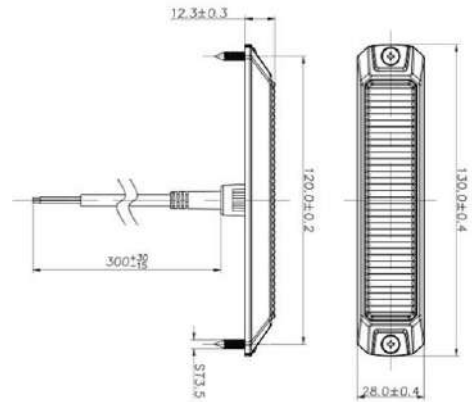
Application in Heavy Machine



WARNING LIGHT



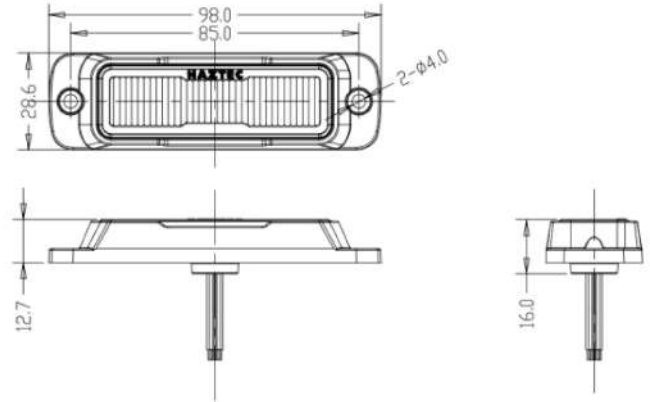
R65 XA2 S4



R65 XA2 S6

Item	S4	S6
Voltage	12V/24V DC	
Flash pattern	12	17
Waterproof	IP67	IP67
Colors	Single color	Single color, Dual color
LED	4 X 3pcs LED	6 X 3W LED
Base	Aluminum	
Mounting	Surface mount	
Size	73*55*14.2mm	130*28*12.3mm
Approval	ECE R10, R65 Class 2 , SAE J595 Class1, California Title 13 Class B	ECE R10, ECE R65 Class 2 , SAE J595 Class1, California Title 13 Class B

WARNING LIGHT



◎ R65 for horizontal mount

◎ R65 for vertical mount



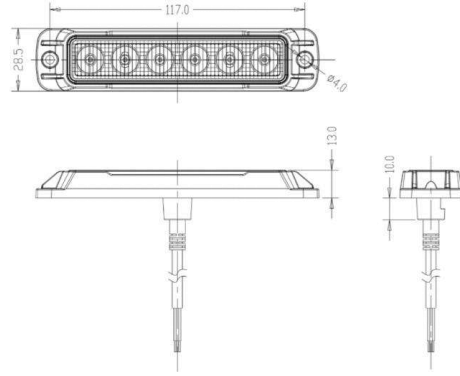
FEATURES

- * Ultra-slim body, only 13mm high
- * Finely designed polycarbonate lens shape produces uncompromising illumination
- * 4pcs high-quality LEDs ensure consistent performance, extremely low current draw
- * Aluminum die-cast housing provides excellent heat dissipation
- * Fully encapsulated for moisture, vibration and corrosion resistance
- * Faster and easier surface mounting via two screws
- * ECE R10(EMC), ECE R65 Class1 and SAE J595 Class1
- * With **horizontal or vertical** mount, R65 certificate separately

Item	SH4-V	SH4-H
Mounting	Vertical Mount	Horizontal Mount
Voltage	10-30V DC	
Flash pattern	20	
Waterproof	IP67	
Colors	Single color, Amber, red, blue, white	
LED	4 X 3W LED	
Base	Aluminum	
Mounting	Surface mount	
Size	98*28.5*13mm	
Approval	ECE R10 ECE R65 Class 1, CISPR 25 Class 3	

WARNING LIGHT

R65 XA2



© R65 for horizontal mount

© R65 for vertical mount



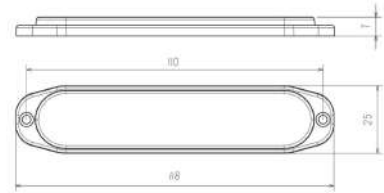
FEATURES

- * Ultra-slim body, only 13mm high
- * Finely designed polycarbonate lens shape produces uncompromising illumination
- * 6pcs high-quality LEDs ensure consistent performance, extremely low current draw
- * Aluminum die-cast housing provides excellent heat dissipation
- * Fully encapsulated for moisture, vibration and corrosion resistance
- * Faster and easier surface mounting via two screws
- * ECE R10(EMC), ECE R65 Class2 and SAE J595 Class1 , California Title 13 Class B Certified
- * With **horizontal or vertical** mount, R65 certificate separately

Item	SH6-V	SH6-H
Mounting	Vertical Mount	Horizontal Mount
Voltage	12V/24V DC	
Flash pattern	20	
Waterproof	IP67	
Colors	Single color, Amber, red, blue, white	
LED	6 X 3W LED	
Base	Aluminum	
Mounting	Surface mount	
Size	117*28.5*13mm	
Approval	ECE R10 ECE R65 Class 2, CISPR 25 Class 3, SAE J595 Class 2, California Title 13 Class	

WARNING LIGHT

R65 XA2



Bracket Mount

Surface Mount and 3M Mount



FEATURES

- * Ultra-slim body, only 7mm high
- * Finely designed polycarbonate lens shape produces uncompromising illumination
- * 6pcs high-quality LEDs ensure consistent performance, extremely low current draw
- * Aluminum die-cast housing provides excellent heat dissipation
- * Fully encapsulated for moisture, vibration and corrosion resistance
- * Single color, Dual color and Triple color
- * ECE R10(EMC), ECE R65 Class2 and SAE J595 Class1

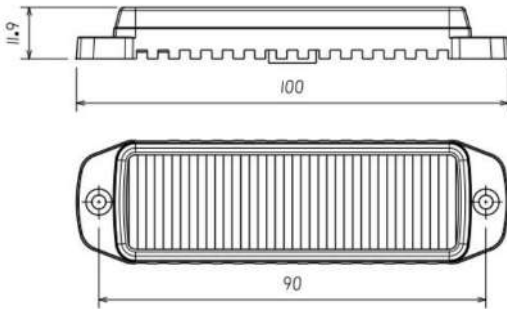
Item	Voltage	Color	Power	IP	Function	Mounting	Dimention	Approval
O6	10-30V DC	Single color Dual color Triple color	6x3W	IP67	Dimming function	3M, Bracket, Screw mount	118mm (W) x 7mm (D) x 25mm (H)	R65, R10, SAE

WARNING LIGHT

NW-NL6



Dimension:



FEATURES

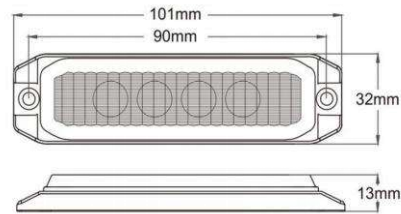
- * Strong and compact design
- * Excellent optical design make the light can meet ECE R65, R10 certificate
- * 6pcs high-quality LEDs ensure consistant performance, extremely low current draw
- * Aluminum die-cast housing provides excellent heat dissipation
- * Single color and can be design in dual color

Item	Voltage	Color	Power	IP	Function	Mounting	Dimension	Wires
NL6	10-30V DC	Single color	6x3W	IP67	With dimming function	Screw Mont	100x28.5x3mm	5-core wires

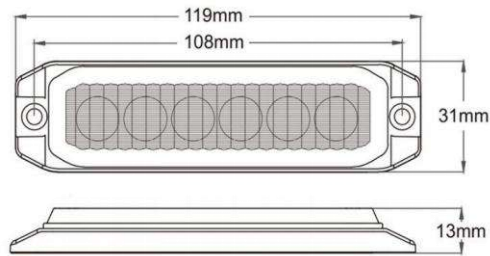
WARNING LIGHT



ST4



R65 XA2 ST6



FEATURES

- * Ultra-slim body, only 13mm high
- * Finely designed polycarbonate lens shape produces uncompromising illumination
- * 4 or 6pcs high-quality LEDs ensure consistent performance, extremely low current draw
- * Aluminum die-cast housing provides excellent heat dissipation
- * Fully encapsulated for moisture, vibration and corrosion resistance
- * Faster and easier surface mounting via two screws
- * ECE R10(EMC), ECE R65 Class 1 for 4 LED, R65 class 2 for 6 LED and SAE J595 Certified
- * 4 flash patterns

Item	Voltage	Patterns	Function	Power	Material	Mounting	IP	Approval
ST4	12-24VDC	4	Single color or split color	4 X 3W LED	PC lens and aluminum base	Surface mount	IP67	ECE R10, ECE R65 class XA1
ST6		4		6 X 3W LED				ECE R10, ECE R65 class XA2

WARNING LIGHT

V6



V3



FEATURE

- * Aluminum alloy base, UV-resistant PC, Multifunctional wire
- * Powered by 10-33V
- * High intensity LED; Single or dual or Trio color are available
- * 17 Flash Patterns with Pattern Memory
- * **180 ° light spread model**
- * **ECE R65 approval for V6**

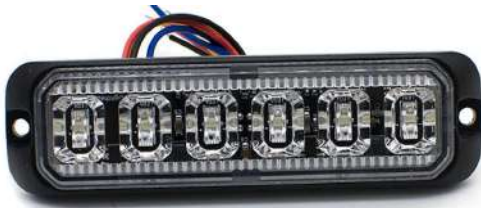
Item	V3	V6
Voltage	10-30V DC	
Flash pattern	17	17
Waterproof	IP67	IP67
Colors	Single color or Dual color	
LED	4 X 3pcs LED	6 X 3W LED
Base	Aluminum	
Mounting	Surface mount	
Size	108*36*18mm	125*28*15mm
Approval	/	ECE R65

WARNING LIGHT



◎ R65 for horizontal mount

◎ R65 for vertical mount



FEATURES

- * Ultra-slim body, only 12mm high
- * Finely designed polycarbonate lens shape produces uncompromising illumination
- * 6/12pcs high-quality LEDs ensure consistent performance, extremely low current draw
- * Aluminum die-cast housing provides excellent heat dissipation
- * With gas-permeable membrane to disperse water vapor
- * 50% power steady on functions available
- * Built-in 20(single color)/25(dual color) selectable flash patterns with Pattern Memory

Item	SC6	SC6D
Voltage	10-30V DC	
Flash pattern	20	25
Waterproof	IP67	IP67
Colors	Amber, red, blue, white	
LED	6 X 3W LED	12 X 3W LED
Base	Aluminum	
Mounting	Surface mount	
Size	105*28*12mm	
Function	Single color	Dual Color

WARNING LIGHT



FEATURES

- * Finely designed polycarbonate lens shape produces uncompromising illumination
- * 6pcs high-quality LEDs ensure consistent performance, extremely low current draw
- * Aluminum die-cast housing provides excellent heat dissipation
- * Fully encapsulated for moisture, vibration and corrosion resistance
- * Faster and easier surface mounting via two screws

Specification

Item	SF3	SF4	SF6
Voltage	12-24VDC	12-24VDC	12-24VDC
Flash pattern	16	16	16
Waterproof	IP67	IP67	IP67
Colors	Amber, red, blue, white		
LED	3pcs X 3W	4pcs X 3W	6pcs X 3W
Base	Aluminum		
Mounting	Surface mount		
Size	L 86.2* W 27.6* H 16.2mm	L 96* W 27.6 * H 16.2mm	L 124* 27.6 W* H 16.2mm
Approval	CE/RoHS	CE/RoHS	CE/RoHS

WARNING LIGHT

SL4



SL6



SL12



FEATURES

- * Finely designed polycarbonate lens shape produces uncompromising illumination
- * 4, 6, 12pcs high-quality LEDs ensure consistent performance, extremely low current draw
- * Aluminum die-cast housing provides excellent heat dissipation
- * Fully encapsulated for moisture, vibration and corrosion resistance
- * Faster and easier surface mounting via two screws

Item	SL4	SL6	SL2
Voltage	10-30VDC		
Flash pattern	19		
Waterproof	IP67	IP67	IP67
Colors	Amber, Red, Blue, White, Green		
LED	4pcs X 3W	6pcs X 3W	12pcs X 3W
Base	Aluminum		
Mounting	Surface mount		
Size	85*28*10mm	112*28*10mm	85*41*10mm

WARNING LIGHT



FEATURES

- * Ultra-slim body, only 15mm high, suitable for grille mount
- * Finely designed polycarbonate lens shape produces uncompromising illumination
- * 9pcs high-quality LEDs, available in single color and dual color
- * 180 degree wide-angle brightness
- * Fully encapsulated for moisture, vibration and corrosion resistance
- * Comes with bracket

Item	B9	B9D
Voltage	10-30V DC	
Flash pattern	28	38
Waterproof	IP67	
Colors	Amber, red, blue, white	
LED	9 X 3W LED	18 X 3W LED
Base	Aluminum	
Mounting	Bracket mount	
Size	135*25*15mm	
Visible angle	180 degree	

BEACON

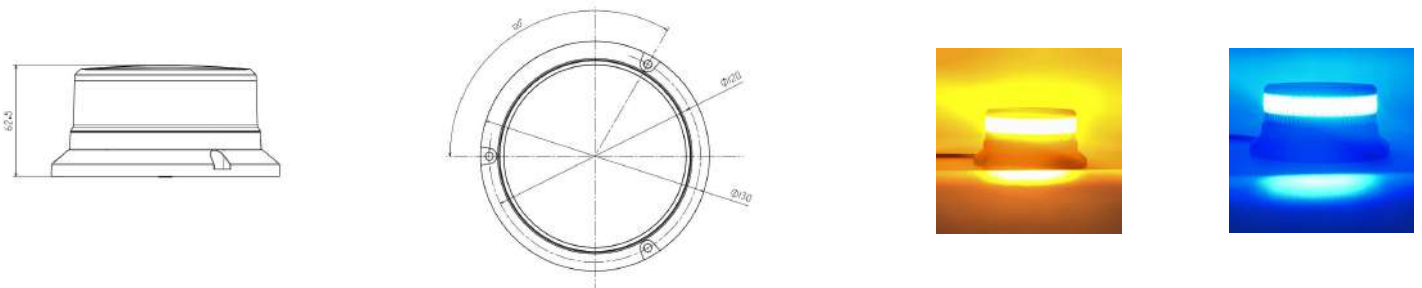


WARNING LIGHT



FEATURES

- * **Dual color beacon, two colors can be controlled seperately.**
- * Finely designed polycarbonate lens shape.
- * 18pcs or 36pcs high-quality LEDs ensure consistit performance, extremely low current draw
- * Fully encapsulated for moisture, vibration and corrosion resistance
- * With 2 different mounting ways, included permanent mount, strong magnet mount can pass 240km/h speed test.
- * Suction cups and sprial cable is available



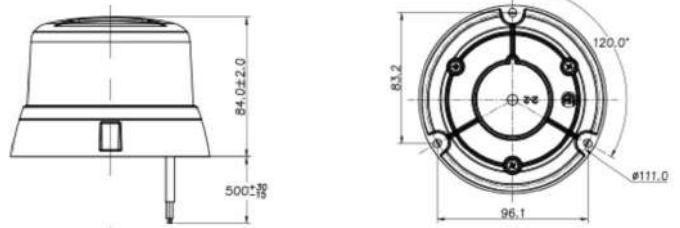
Item	Voltage	Color	Power	IP	Function	Mounting	Dimention	Approval
B16	10-30VDC	Single color	18x3W	IP67	50% power	Permanent , strong magnet	H62.5mm * Φ 130	ECE R65 TA2, TB2, R10
B16D	10-30VDC	Dual color	36x3W	IP67	50% power	Permanent , strong magnet	H62.5mm * Φ 130	ECE R65 TA2, TB2, R10

WARNING LIGHT

BT16



Dimension



Beacon color and installation options



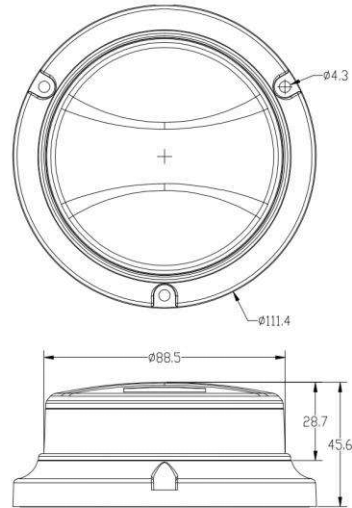
Specification

- . 12-24VDC
- . 16 x 1W LED
- . 12 flash patterns
- . ECE R10 and R65 approval
- . Permanent mount, magnet mount, Din pole mount
- . 500mm cable/ 2500mm cable and cigarette plug
- . Dimension, φ111X84mm
- . IP67



Item	Voltage	Color	Power	IP	Function	Mounting	Dimension	Approval
BT16	10-30VDC	Single color	16x3W	IP67	50% power	Permanent , strong magnet	H84mm * Φ 120	ECE R65 TA1, TB1, R10

WARNING LIGHT



Permanent Point

Pole mount

Magnetic mount

FEATURES

- * Finely designed polycarbonate lens shape with aluminum alloy base
- * 36pcs high-quality LEDs ensure consistent performance, extremely low current draw
- * Fully encapsulated for moisture, vibration and corrosion resistance
- * With 3 different mounting ways, included permanent mount, magnet mount, pole mount.

Item	Voltage	Color	Power	IP	Function	Mounting	Dimension	Approval
B36	10-30V DC	Amber, Red, Blue, White	36x1W	IP67	Single color	Permanent, Magnet and Pole mount	H45mm * Φ 111	R65, R10

WARNING LIGHT



Permenent mount

B12



Magnet mount



One point mount



Flexi Din mount



Permenent mount

B24



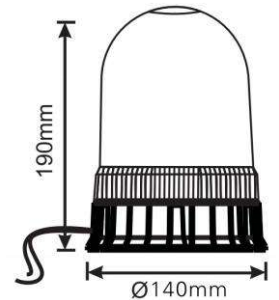
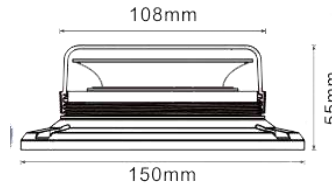
Magnet mount



One point mount



Flexi Din mount



Item	Voltage	Color	Power	IP	Function	Mounting	Approval
B12	12-24V DC	Amber, Red, Blue, White	12 X 3W	IP66	Single Flashin/ Dual Flashing/ Rotating	Permenent mount, magnet mount with cigarette plug, din mount, pole mount	ECE R65, R10
B24	12-24V DC	Amber, Red, Blue, White	24 X 3W	IP66	Single Flashing/ Dual Flashing/ Rotating	Permenent mount, magnet mount with cigarette plug, din mount, pole mount	ECE R65, R10

WARNING LIGHT



IP65



DC12V



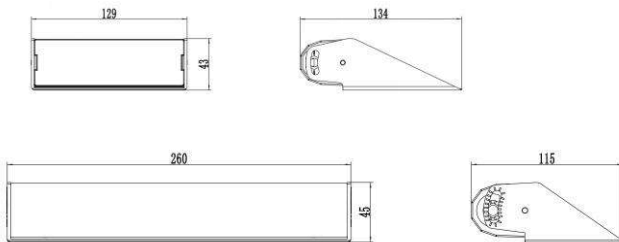
Meet ECE R65, R10, SAE



Amber, blue, red, white



-40-+65°C



Features

- * Easy flash pattern selection from the touch-off button on the back of light.
- * High intensity suction cups, positions and quantity are selectable on bracket according to windshield glass of different gradients.

Item	Voltage	Color	Power	Flash patterns	Waterproof	Controller	Mounting
D4	12VDC	Amber, Red, Blue, White	4 X 3W	16	IP65	Cigarette plug	Suction cup
D8			8 X 3W				

D6 & D12



Specification

- . 10-30VDC
- . 12 x 3W LED
- . 19 flash patterns
- . SAE J595, CA T13, ECE R65 and ECE R10 Certified
- . Adjustable brackets, suitable for various applications
- . Comes with suction cup
- . **Single Module or Double Module options**
- . IP67

Double Modules

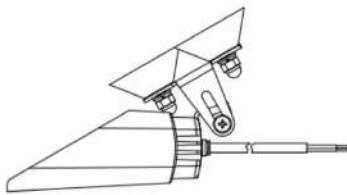


Single Module

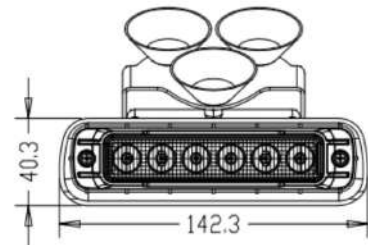
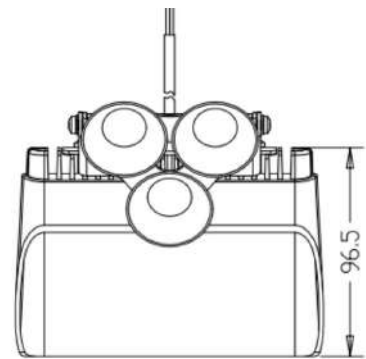


Item	Voltage	Color	Power	Flash patterns	Waterproof	Controller	Mounting
D6	10-30VDC	Amber, Red, Blue, White	6X 3W	19	IP69K	Cigarette plug	Suction cup
D12			12 X 3W				

DN6



Mounting, Suction Cups



Specification

- . 10-30VDC
- . 6 x 3W LED
- . 20flash patterns
- . ECE R65 and ECE R10 Certified
- . Adjustable brackets, suitable for various applications
- . Comes with 3pcs suction cups
- . **Single color**
- . IP67

Item	Voltage	Color	Power	Flash patterns	Waterproof	Controller	Mounting
DN6	10-30VDC	Amber, Red, Blue, White	6X 3W	20	IP67	Cigarette plug	Suction cup

WARNING LIGHT

HT4



HM4



Bracket



FEATURES

- * **Tiny and powerful lighthouse.**
- * Finely designed polycarbonate lens shape
- * 4pcs x 3W or 8 x3W high-quality LEDs ensure consistent performance, extremely low current draw
- * Fully encapsulated for moisture, vibration and corrosion resistance
- * With 2 different mounting ways, flush mount, or surface mount.



Item	Voltage	Color	Power	Flash patterns	IP	Mounting	Wire	Dimension	Approval
NV-HT4	10-33VDC	Single color/Dual color	4 X 3W/8X3W	12 kinds of single color, 34kinds of dual color	IP67	Flush mount with Grommet, L-Bracket is available	20cm wires	D 36mm x H 36mm	ECE R10, R65 TA1, TB1
NV-HM4	10-33VDC	Single color/Dual color	4 X 3W/8X3W	12 kinds of single color, 34kinds of dual color	IP67	Surface mount or cover mount	20cm wires	D40 X H24	ECE R10, R65 TA1, TB1 ³⁶

WARNING LIGHT

NV-HD8

- . 12-24VDC
- . CE approval
- . Surface mount
- . Comes with cover
- . Dimension 39x19x25mm



NV-H801

- . 12VDC
- . Surface mount
- . Comes with rubber gasket
- . Dimension 28Dx28Hmm



Item	Voltage	Color	Power	Flash patterns	Waterproof	Mounting	Wire
NV-HD8	12-24VDC	Amber, Red, Blue, White	8 X 3W	16	IP67	Surface mount with or without cover	3m with 5 core wire
NV-H801	12VDC			23		Surface mount without cover	3m with 4 core wire

WARNING LIGHT

NV-H12

- . 12VDC
- . CE approval
- . Surface mount
- . Comes with cover
- . Dimension 36Dx20Hmm



NV-H8

- . 12VDC
- . Surface mount
- . Comes with rubber gasket
- . Dimension 55Dx21.6Hmm



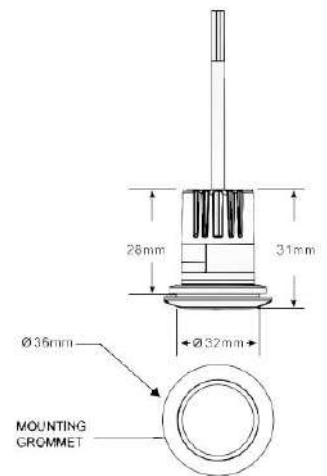
Item	Voltage	Color	Power	Flash patterns	Waterproof	Mounting	Wire
NV-H8	12VDC	Amber, Red, Blue, White	8x3W	19	IP67	Surface mount with or without cover	20cm core wire
NV-H12	12VDC		12x3W	12		Surface mount without cover	3m with 4 core wire

A4



Features

- * 4 x 3W LED
- * 12V
- * IP67
- * Flush mount with included grommet, optional L-bracket sold separately
- * Available in amber, blue, red and white
- * UV resistant polycarbonate lens
- * ECE R65 standard
- * Dimension, 32D x 31Hmm



Item	Voltage	Color	Power	Flash patterns	Waterproof	Mounting	Wire
A4	12VDC	Amber, Red, Blue, White	4 X 3W	17	IP67	Flush mount with Grommet, L-Bracket is available	20cm wires

WARNING LIGHT



IP67



DC12V



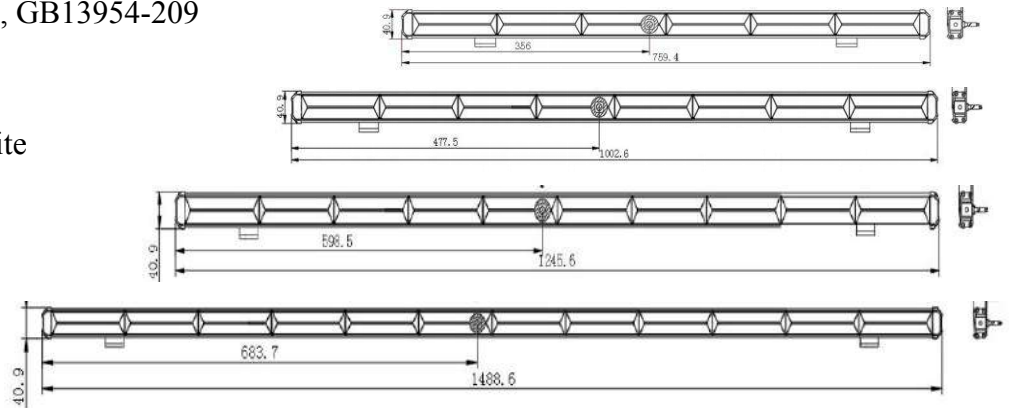
ECE R65, SAE J595, GB13954-209



Amber, blue, red, white



-40-+70°C



Features

- * Ultra thin traffic advisor
- * Adopts high power LED as light source
- * Available in single or split colors-red, blue, amber, white option
- * Built-in 12 selectable flash patterns and directional pattern
- * Solid aluminum housing for efficient heat dissipation
- * ECE R65 and SAEJ595 standard



Item	Voltage	Color	Power	Waterproof	Function	Mounting	Operation Temp
T-6	12VDC	Amber, Red, Blue, White	36*3W	IP67	Built-in 12 selectable flash patterns and directional pattern	Screw mount	-30 ° C to +70 ° C
T-8			48*3W				

TA7

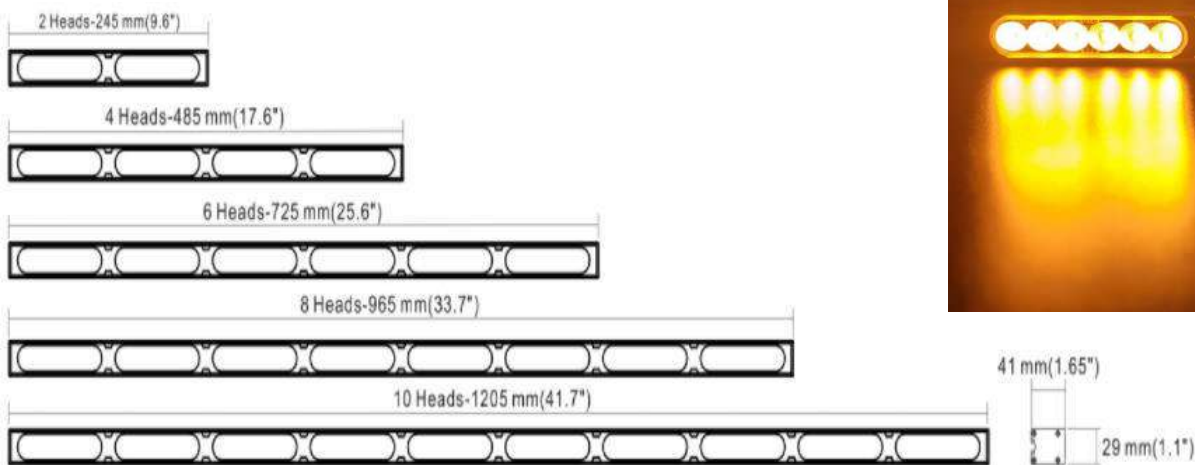


Features:

- * Adopts high power LED as light source
- * Available in single or split colors
- * Waterproof interior or exterior mount
- * TA series comes with 3wire cable(power, ground, pattern select)
- * Bottom and rear T-slots allow for easy mounting via M3 bolt
- * Side aluminum housing for efficient heat dissipation prolongs lifespan
- * Sealed E6 heads for maximum reliability



Dimension:



Item	Voltage	Color	LED	Waterproof	Pattern	Mounting	Operation Temp
TA	10-30VDC	Amber, Red, Blue, White	3W/LED	IP67	2-4 modules: 20 >4modules: 31	Screw mount	-30°C to +70°C

WARNING LIGHT



IP65

DC12V

Meet ECE R65, R10, SAE

Amber, blue, red, white

-40-+65°C



Features

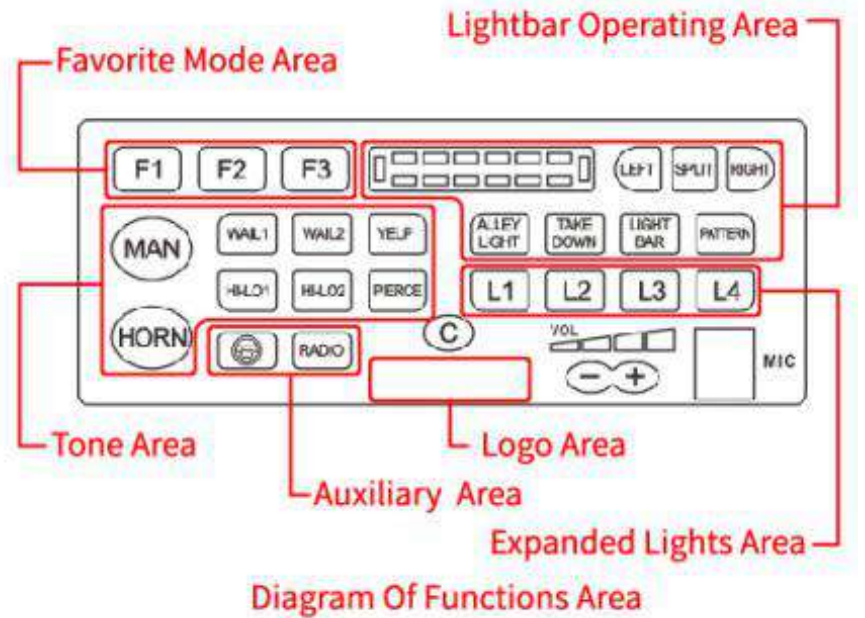
- * Two-piece Interior lightbar, perfect for slick-top, highway and undercover applications
- * With high-quality 1W LEDs ensure consistent performance, extremely low current draw
- * 25 optional flash patterns and with memory function if suddenly power off
- * Built-in the reverse polarity protection circuit can protect Installation wiring and vehicle electrical components
- * Different mounting brackets, flexible mount on either front or rear windshield.

Item	Voltage	Color	Power	Flash patterns	Waterproof	Controller	Mounting
D10	12VDC	Amber, Red, Blue, White	72 X 1W	25	IP65	Cigarette plug	Brackets

WARNING LIGHT



NV-SR100CD



Feature

- * Monolithic integrated circuit in steadier performance
- * Tone characteristic:WAIL1,WAIL2,YELP,H-LO1,H-LO2,PIERCE.
- * Can control the siren , lightbar and expanded lights.
- * Support traffic advisor function.
- * Can set up and store your favorite modes .
- * Voice enlarges:Speaker sensitivity 50mv,output volume can be adjusted.
- * Have the indication lights about the lightbar flashing modes.
- * Support the external triggering function of steering wheel.
- * Have the media amplifier function.
- * Warning sound volume adjustable.
- * Tones are ready to be customised.
- * Double-color backlight indicator adapts night operation.
- * Polarity protection.
- * A new tone program is designed to improve the warning efficiency in an all-round way.
- * Designed with new tone procedures. comprehensively improve warning effectiveness.
- * Microphone priority: all other siren functions pause when microphone starts talking.

Model	NV-SR100CD
L*W*H(mm)	171.6 mm(L) × 160 mm(W) × 58 mm(H)
Voltage	12/24V
Power	100W/150W
Impedance	8Ω
Function	WAIL1,WAIL2,YELP,H-LO1,H-LO2,PIERCE
Sound compression level	110-120dB

Speaker & Siren



NV-SP100-2



NV-SR100AD



NV-SP100-1



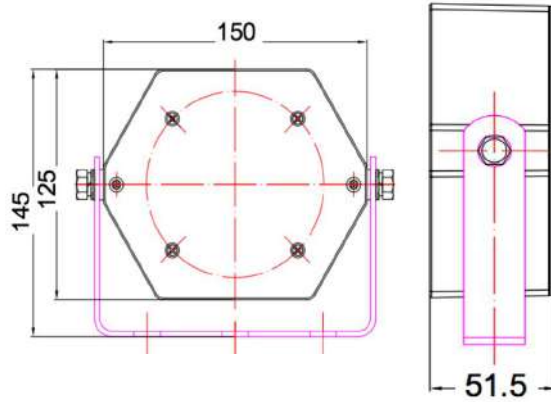
NV-SR100RD

Model	NV-SP100-2	NV-SP100-1	NV-SR100RD	NV-SR100AD
L*W*H(mm)	182 x 135 x 175	205 x 173 x 132	198 x 108 x 48	194 x 155 x 57
Frequency/Voltage	400-4000Hz	400-4000Hz	DC12V	DC12V
Power	100W	100W	100W/200W	100W/200W
Impedance	8Ω	8Ω	8Ω /11Ω	8Ω /11Ω
Sound Distortion/ Sound	≤5%	≤5%	Police, fire fighting, wrecker, project, ambulance, ambulance, guest.	Yelp, Hi-lo, Wail-1, Wail-2, Manual
Sound compression level	120-130db	120-130db	110-120dB	110-120dB

Speaker & Siren



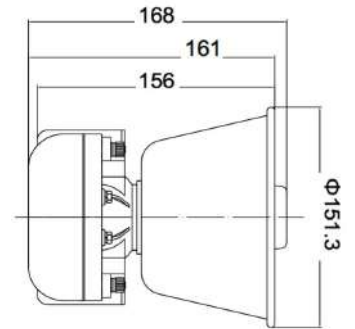
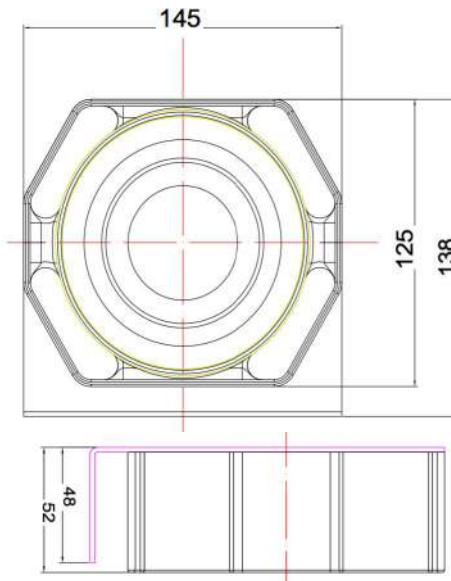
SP100-3B



SP100-9



SP100-3C



Model	NW-SP100-3B	NW-SP100-3C	NW-SP100-9
L*W*H(mm)	150x145x51.5	145x138x52	Φ151.3x168
Frequency/Voltage	400-4000Hz	400-4000Hz	400-4000Hz
Power	100W	100W	100W
Impedance	8Ω/11Ω	8Ω/11Ω	8Ω / 11Ω
Sound Distortion/ Sound	≤5%	≤5%	≤5%
Sound compression level	120- 130db	120- 130db	120- 130dB

Speaker & Siren



NV-SP200



NV-S100-2



Model	NV-SP200	NV-S100-2
L*W*H(mm)	205 x 173 x 132	188 x 162 x 87
Frequency/Voltage	400-4000Hz	400-4000Hz
Power	200W	100W
Impedance	6Ω/8Ω/11Ω	6Ω/8Ω/11Ω
Sound Distortion/ Sound	≤5%	≤5%
Sound compression level	120-130db	120-130dB